

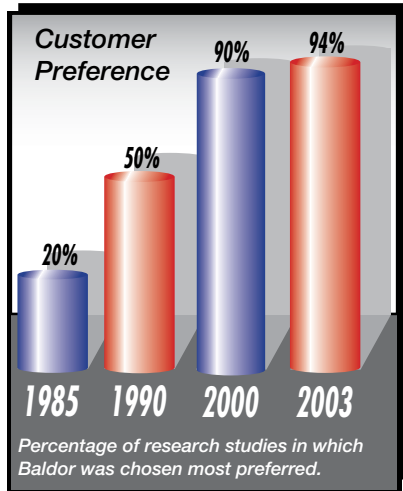
# Baldor Explosion Proof AC and DC Motors



**BALDOR**<sup>®</sup>

## Why Baldor?

For over 85 years, Baldor has strived to provide customers with the best value and reliability in industrial electric motors. That dedication shows in customer preference for Baldor motors. To be considered as the most preferred...



### Baldor offers the industry's broadest line of

**stock products.** Save valuable time with just one call to Baldor. We offer more than 7,000 stock motors, drives and gearboxes.

**Energy-efficiency leader.** We began lowering the energy consumption of our motors in the 1920s, long before others were even talking about it. Today, our expansive line of Super-E® NEMA Premium® efficient motors ranges from 1 through 1250 Hp. Baldor's Super-E line offers customers the highest overall efficiency levels in the industry.



**Baldor products are available at more locations than any other brand.** Our 35 district offices across North America offer immediate availability of Baldor products to thousands of distributors.

### Continuous innovation to improve reliability.

Baldor leads the motor industry in applying new technologies and materials to improve motor reliability. Baldor was the first to introduce ISR® (Inverter Spike Resistant®) magnet wire on our AC motors, which is up to 100 times more resistant to voltage spikes. Baldor was first to use Exxon's Polyrex® EM grease, which protects motor bearings better, providing improved lubrication life, greater shear stability, and superior resistance to washout, rust and corrosion.

### Industry's shortest lead times/Flexible manufacturing.

Baldor has the industry's shortest lead times on custom motors – just ten working days. Our unique FLEX FLOW



manufacturing process lets us produce any order in any quantity, quickly and efficiently.

**Industry's best information.** Only Baldor offers customers so many choices for product information with a wide variety of catalogs and product brochures, a CD-ROM electronic catalog, the Baldor Web site ([www.baldor.com](http://www.baldor.com)), or you may talk to a Baldor customer service person or "ask the engineer" at [www.BaldorProSpec.com](http://www.BaldorProSpec.com).

## Table of Contents

	<u>Page</u>
<b>Specifications and Features</b>	
• Motor Ratings Available	3
• Design Features	4
• Specifications	8
• Inverter Spike Resistant® Magnet Wire	6
• Exxon Polyrex® EM Grease	6
• Energy Savings	7
• UL Classifications	9
<b>Motor Performance Data and Dimensions</b>	
• Rigid Base	10
• 50 Hertz	12
• 1.15 Service Factor	13
• C-Face	14
• Jet Pump	18
• Close-Coupled Pump	18
• Brakemotors	20
• Adjustable Speed Inverter Drive	21
• DC Permanent Magnet and Shunt Wound	26
<b>Connection Diagrams</b>	29

## The best value in Explosion-Proof motors, too.

Since the 1940s, when Baldor introduced its first explosion-proof motor, the company has designed and manufactured motors that meet or exceed industry standards, ensuring safety, energy efficiency and overall reliability.

Today, Baldor offers nearly 300 different explosion-proof stock motors, from 1/4 hp to 300 hp, in frame sizes up to NEMA 449T. Motor models include:

- Single phase and three phase
- Super-E® NEMA Premium™ efficiency
- 50 Hz
- Standard 1.0 or 1.15 Service Factor
- Severe Duty Service
- NEMA C-face
- Jet-Pump
- Close-coupled pump
- Brake motors
- Inverter Drive®
- SCR Drive permanent magnet DC
- SCR Drive shunt wound DC



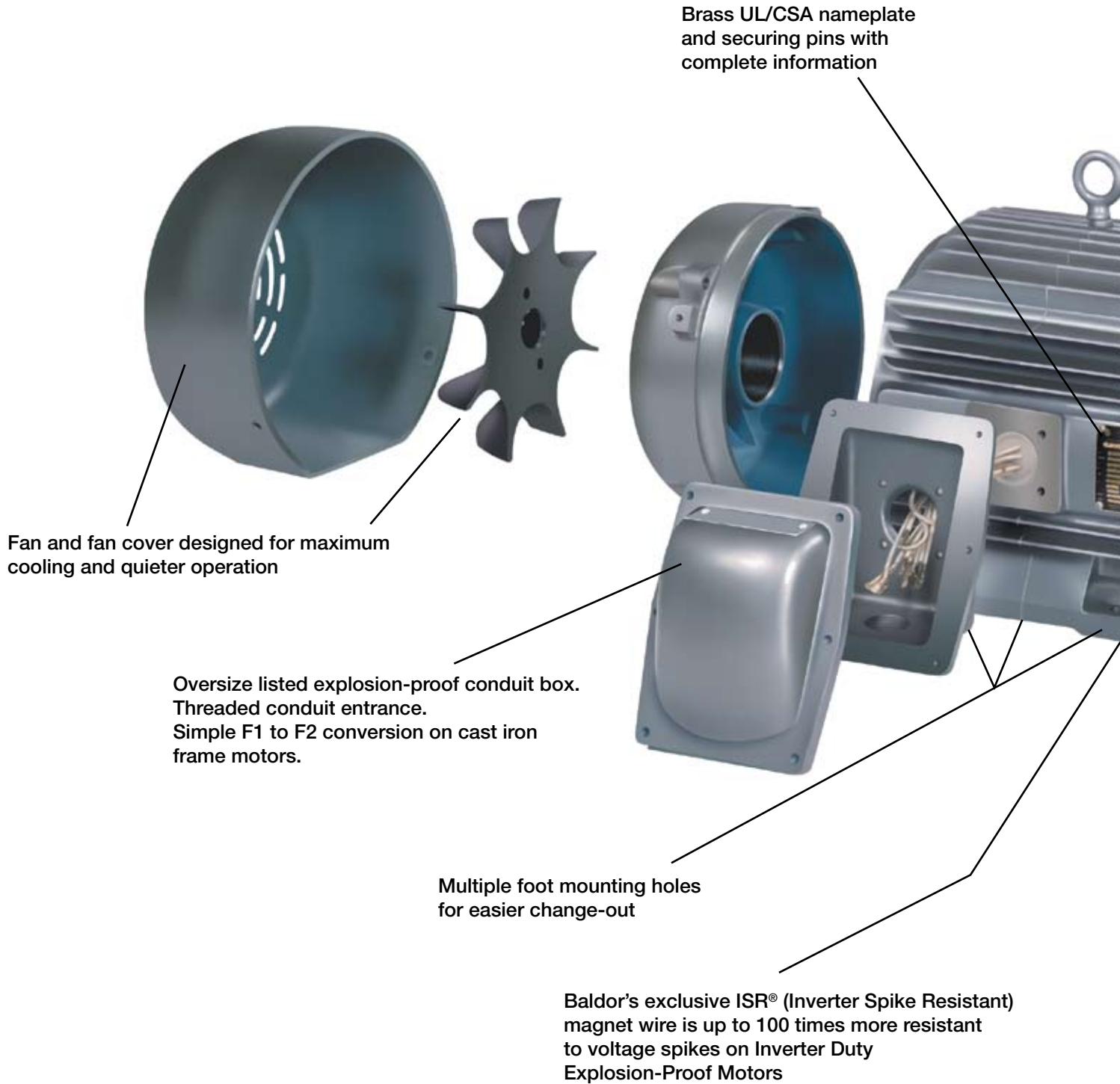
Baldor's explosion-proof motors meet all the stringent UL and CSA requirements for use in hazardous locations. Custom motors are also available. Combine this selection with Baldor's unmatched service, support and stock availability, and you'll see why Baldor is the value leader in explosion-proof motors.

### From 1/4 Hp to 300 Hp, Baldor has your Explosion-Proof Motor

Hp	Frame Size			
	3600 RPM	1800 RPM	1200 RPM	900 RPM
1/4		48		
1/3		56		
1/2	56	48 or 56	56	143T
3/4	56	56	56 or 143T	145T
1	56	56, 143T or 182T	56 or 145T	182T
1 1/2	143T	56, 145T or 184	145T or 184T	184T
2	145T	56, 145T or 184	184T	213T
3	145T, 184T or 184	<b>182T</b> or 213	213T	215T
5	184T	<b>184T</b> or 215	215T	254T
7 1/2	184T or 213T	<b>213T</b>	254T	256T
10	215T	<b>215T</b>	256T	284T
15	254T	<b>254T</b>	284T	286T
20	256T	<b>256T</b>	286T	324T
25	284TS	<b>284T</b>	324T	326T
30	286TS	<b>286T</b>	286T or 326T	364T
40	324TS	<b>324T</b>	364T	365T
50	326TS	<b>326T</b>	365T	404T
60	364TS	<b>364T</b>	404T	405T
75	365TS	365T	405T	444T
100	405TS	405T	444T	445T
125	444TS	444T	445T	447T
150	445TS	445T	449T	449T
200	449TS	447T	449T	-
250	449TS	447T	449T	-
300	449TS	449T	-	-

**Bold** indicates ratings where Class I, Group C & D; Class II, Group F & G are available in this frame size from stock. Other ratings are available Class I Group C&D; Class II-Group F&G as customs with short lead times. Many ratings are available from stock as Class I-Group C & D or Class I-Group D; Class II-Group F&G. Class I, Groups C & D and Class II, Groups F & G are available in ALL sizes. Class I, Group D and Class II Groups E, F & G are available in Cast Iron, 182-4 frame and larger.

## Reliability and performance you can count on...



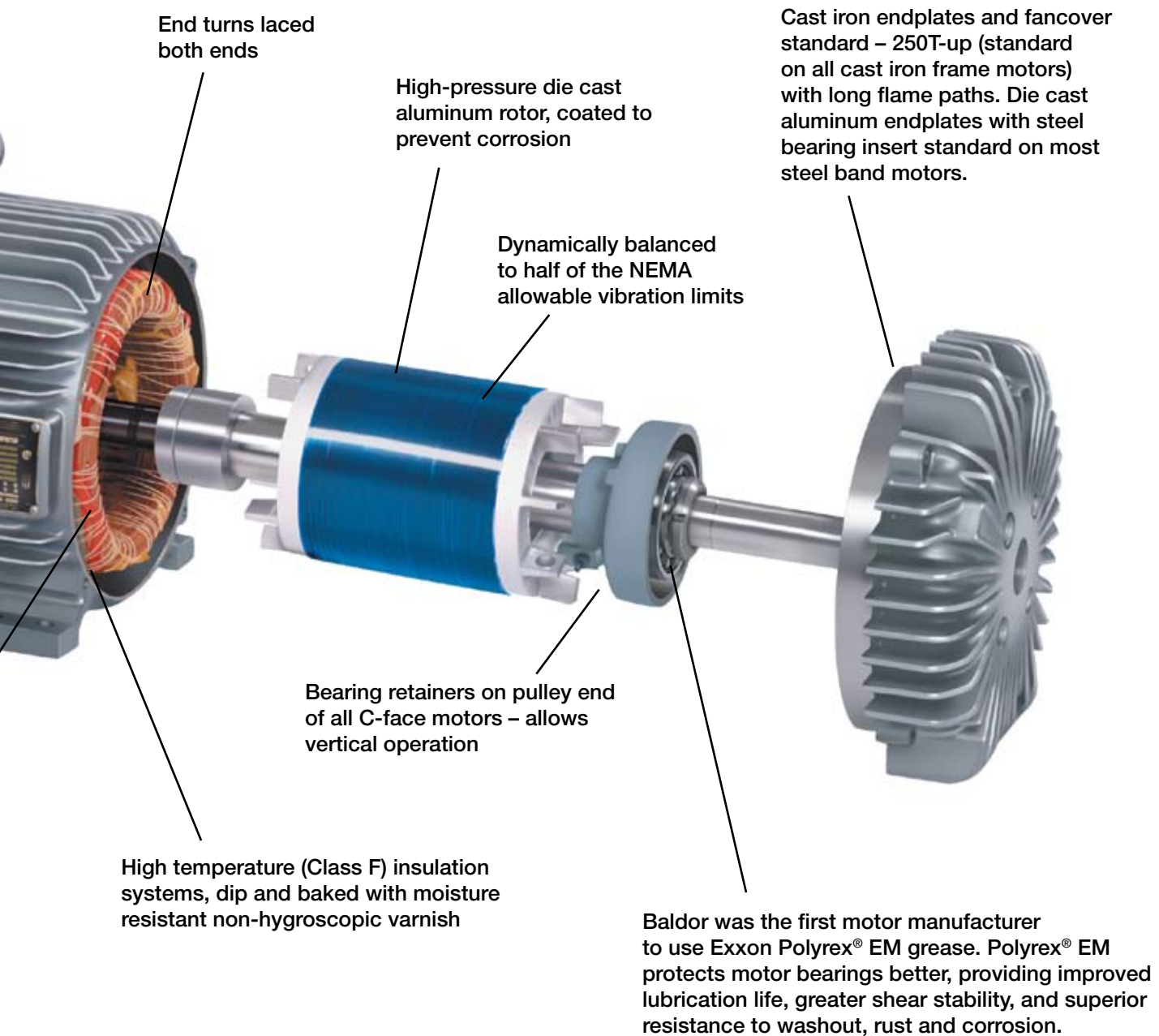
Brass UL/CSA nameplate and securing pins with complete information

Fan and fan cover designed for maximum cooling and quieter operation

Oversize listed explosion-proof conduit box. Threaded conduit entrance. Simple F1 to F2 conversion on cast iron frame motors.

Multiple foot mounting holes for easier change-out

Baldor's exclusive ISR<sup>®</sup> (Inverter Spike Resistant) magnet wire is up to 100 times more resistant to voltage spikes on Inverter Duty Explosion-Proof Motors



## Going Beyond the Industry Standard in Explosion-Proof Motors

Baldor's Explosion-Proof motors are another example of our commitment to provide reliable performance, while exceeding customer expectations.



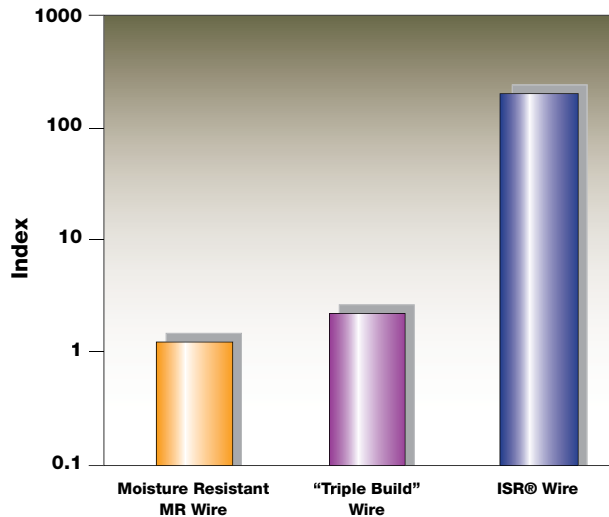
### Wound with ISR® (Inverter Spike Resistant®) Magnet Wire

Recognized as "Product of the Year" by Plant Engineering magazine in 1996, Baldor's ISR wire is a standard feature in Baldor AC motors, 575 volt and under, 1 hp and up.

Motors wound with ISR wire are up to 100 times more resistant to transient voltage spikes, high frequencies and short rise time pulse frequently produced by inverters and vector drives. The result is a better motor with longer life, reduced downtime and better overall value.

**CAUTION:** Only explosion-proof motors which are specifically approved and UL Listed for use on adjustable frequency drives can be used on inverters. See pages 21-23.

#### ISR® Wire is Superior in Pulse Endurance Test



**Technical Specifications:**  
NEMA MW-35

**Pulse Endurance Test Conditions:**  
Twisted pairs @ 20,000 Hz, 2 kV, 0.025 microsecond risetime, 50% duty cycle, 90°C

**Pulse Endurance Index =**  
Life of Product/Life of 18 H MW-35 (Reference)

**Thermal Properties, Chemical Resistance and Dielectric Strength:**  
ISR® Wire is equal to or better than MR wire.

**Thermal Rating:** 200°C

**Source:**  
Phelps Dodge Magnet Wire Company (Used with permission)

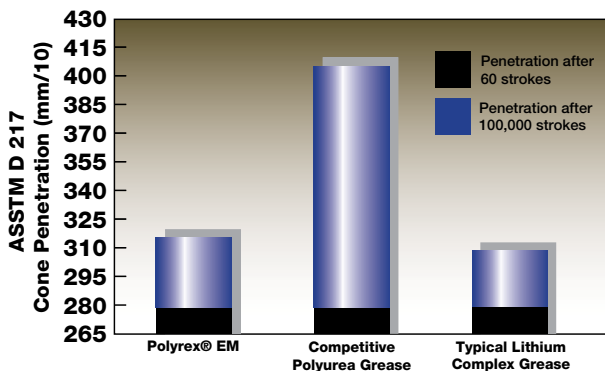
### Standard on All Baldor Motors: Exxon Polyrex® EM Polyurea Grease

It's a fact: Bearing failure is the #1 mechanical reason for motor failure. So the better the grease protecting those bearings, the better and longer the motor performs.

Today, that better grease is Exxon's new Polyrex® EM polyurea grease – now standard on all Baldor motors. It provides lubrication life of more than four times greater than other polyurea greases in tests up to 350°F. It exhibits greater durability when subjected to mechanical shearing forces. Furthermore, a specially formulated additive in the grease resists washout, rust and corrosion even when subjected to salt water conditions.

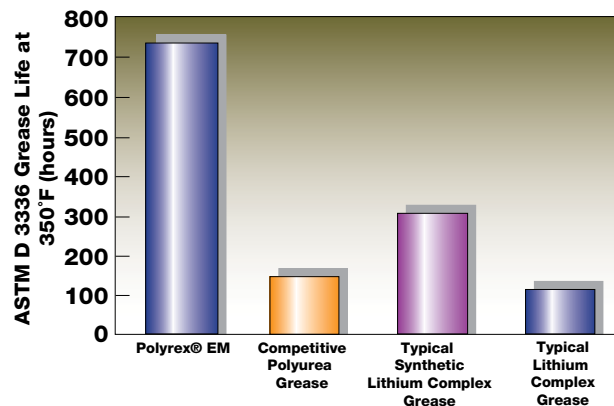


#### Excellent Shear Stability



As illustrated here, the proprietary polyurea thickener system in Polyrex EM exhibits excellent durability and stability when subjected to a mechanical shearing force. Mechanical shear stability is a measure of the greases thickener system. Good mechanical shear stability is important in roller bearing applications where excessive grease softening may lead to grease leakage or purging from the bearing.  
Source: Exxon Mobil Product Data Sheet DG-3C, 6/15/99.

#### Outstanding High-Temperature Lubrication Life



In the severe ASTM D 3336 High-Temperature Grease Life Test, Polyrex EM dramatically outperformed a competitive polyurea grease and conventional lithium-complex greases.

Source: Exxon Mobil Product Data Sheet DG-3C, 6/15/99.

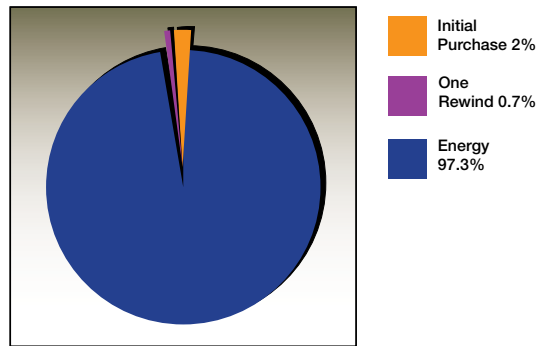
## Making Energy Efficiency Work For You

### Why is Energy Efficiency Important?

Electric motor-driven systems used in industrial processes consumed 679 billion kWh, or 63% of all electricity used in U.S. industrial sector, according to a U.S. Department of Energy report published in 1998. The report goes on to reveal that industrial motor energy could be reduced by up to 18 percent if companies were to apply motor and motor system efficiency upgrades, including the use of adjustable speed drives. The potential positive impacts on companies' bottom lines and the environment are significant.

### Purchase Price is Only a Small Piece of the Pie

The pie chart to the right shows the typical life cycle cost of a 100 hp motor operating in continuous duty over a 20-year life. As you can see, the original purchase price is almost insignificant compared to what it will cost to power the motor during its useful life.



### How Baldor Super-E® Efficiencies Compare to Industry Standards

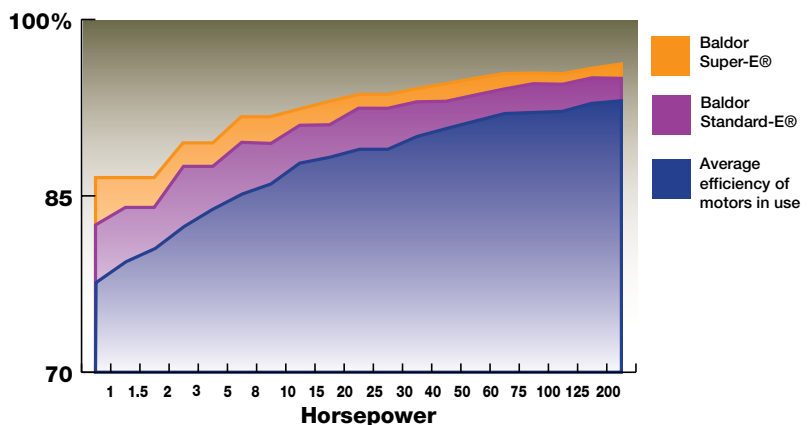
Baldor's line of Super-E motors offers customers the highest level of overall efficiencies available from any motor manufacturer, complying with NEMA Premium™ efficiency.

### BE\$T Baldor Energy Savings Tool™ Software Makes Calculating Payback Easy

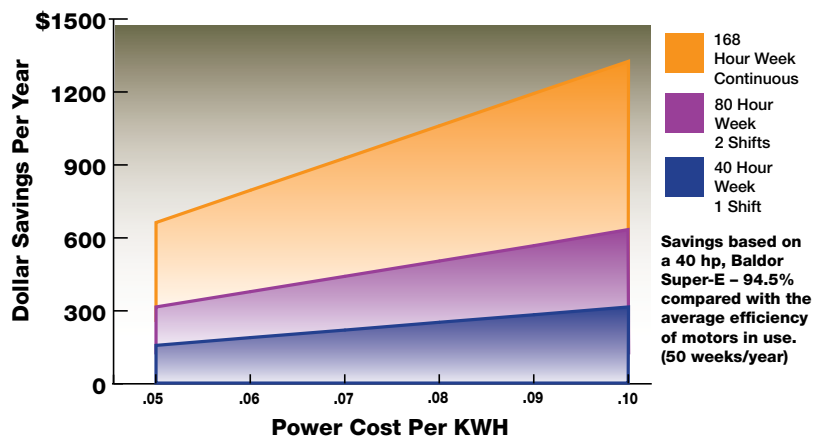
In order to make payback calculations easier for customers, Baldor developed BE\$T (Baldor Energy Savings Tool). BE\$T helps calculate energy cost and energy savings for motors, as well as payback timeframes. A popular feature of BE\$T is that it allows users to make head-to-head comparisons of up to three motors, giving customers the information to make an informed decision through comparative analysis.

BE\$T Baldor Energy Savings Tool is available as a download through Baldor's award-winning Web site ([www.baldor.com/support/index.asp](http://www.baldor.com/support/index.asp)), as well as a stand-alone CD-Rom available from the Baldor Literature Hotline (1-800-828-4920).

### Electric Motor Efficiency Ratings



### What is Higher Efficiency Worth?



## Meeting industry specifications and beyond.

When you specify a Baldor explosion-proof motor, you can trust that it meets your specifications, and more. Baldor follows the specs to the letter, and then takes it a step further. We listen to motor users and learn from their experiences. We design and build motors that deliver reliable performance. And we earn long-term customer relationships by exceeding their expectations.

Baldor explosion-proof motors feature cast-iron frames and endplates on NEMA 143T frame sizes and larger. NEMA 215T and smaller frames feature a rugged industrial rolled steel band construction with external through-bolts. Conduit boxes are UL and CSA approved for Class I – Group C & D, or Class II – Groups F and G. Motors are covered with a chemical resistant, two-part epoxy paint. ISR® Inverter Spike Resistant magnet wire, POLYREX EM® moisture resistant grease and low-loss electrical grade steel laminations are also standard features.



In applications where explosion-proof motors are operating for extended periods of time, the Baldor Explosion-Proof Super-E® premium efficient motor can significantly reduce your energy costs.

## Baldor Explosion-Proof Motor Design Specifications

Specification	Description
Bearings	Anti-friction motor quality ball bearings standard.
Conduit Box	UL approved conduit boxes available for all motors. Class 1, Group C&D, Class 2 Groups F&G Leads "potted" in stator lead entry hole.
Construction	All cast iron construction on frames 143T and larger. Rolled steel band construction on frames 215T and smaller (when noted).
Efficiencies	All general-purpose, T-frame, single-speed, foot-mounted, polyphase NEMA Design A and B, motors operating on 230/460 volts and 60 hertz meet or exceed the efficiency standards set forth in the Energy Policy Act (EPA) of 1992. Tested per IEEE 112 method B and CSA-390-98.
Enclosure	Totally enclosed fan cooled.
External Cooling Fan	Non-sparking, non-corrosive glass-filled polypropylene.
Frequency	60 Hz standard. 50 Hz designs also stocked.
Ground Lug	Located inside conduit box.
ISR® Magnet Wire	Inverter Spike Resistant® 200°C moisture resistant copper wire is standard on 1hp and up. Coil endturns are laced and tied every slot for winding rigidity.
Insulation	Non-hygroscopic polyester high temperature varnish.
Laminations	Low-loss electrical grade steel for enhanced efficiency.
Lead Wire Material	Copper wire, insulated with a non-wicking cross-linked polymetric cover.
Lubrication	Exxon POLYREX®EM Grease.
Nameplate	UL nameplate with listing for Class, Group and Temperature Codes.
Paint	Motors are coated with two-part epoxy paint for corrosion protection.
Rating	Continuous duty in 40°C ambient temperature.
Rotor Construction	High-pressure die cast aluminum squirrel cage rotors, precision balanced.
Service Factor	1.00 S.F. standard. 1.15 S.F. motors available. See page 14.
Voltage	115/230 volt single phase; 230/460, and 575 voltages, Three phase standard. Other voltage ratings are available.
Winding Design	Nema Design B torques.



# Understanding UL Classifications, Groups and Divisions

## Classifications

UL classification for hazardous location motors is based on the atmosphere in which the motor will be operating under normal conditions. There are three major classifications, each with unique atmospheric conditions:

- **Class I** for gases, vapors and/or flammable liquids
- **Class II** for combustible dusts
- **Class III** for ignitable fibers and/or filings

## Groups

Each classification and atmosphere is broken into various groups. Groups are determined by ignitable volatility or explosiveness, and the concentration of the material present. The highest combustible atmosphere is Group A. Subsequent alphabetical Group designations are progressively less volatile, i.e. Group B, then Group C, etc. Following is a partial listing of atmospheres that relate to each Group:

- **Group A:** Acetylene
- **Group B:** Hydrogen, butadiene, ethylene oxide and propylene oxide, and equivalent hazardous material
- **Group C:** Cyclopropane, ethyl ether, ethylene and equivalent hazardous materials
- **Group D:** Acetone, alcohol, ammonia, benzene, benzol, butane, gasoline, hexane, lacquer solvent vapors, naphtha, natural gas, propane and equivalent hazardous materials
- **Group E:** Metal dusts including aluminum, magnesium and their alloys, and other equivalent hazardous materials
- **Group F:** Carbon black, charcoal, coal or coke dusts
- **Group G:** Flour, starch, grain, combustible plastics and chemical dusts

## Divisions

Divisions are determined by the atmosphere that is present under normal operating conditions.

**Division 1** relates to an atmosphere that normally contains highly combustible material.

**Division 2** involves a normal atmosphere that is non-combustible, but can change due to an accident or equipment malfunction.

### CAUTION

Motors misapplied in hazardous environments can cause a fire or explosion resulting in destruction of property, serious injury or death. Only the end user or a qualified underwriter is to identify and select the proper class, group, division, and temperature code motor to meet the requirements of each installation. Baldor personnel, agents and distributors can advise what listings and approvals Baldor motors carry, but cannot evaluate nor recommend what motors may be suitable for use in hazardous environments. Only explosion-proof motors which are specifically approved and UL Listed for use on adjustable frequency drives can be used on inverters. See pages 20-23.

## Temperature Ratings and Code Numbers:

### UL AND CSA EXPLOSION-PROOF CLASSIFICATIONS

1. Hazardous Locations
  - Class I Group D locations are atmospheres containing elements such as Gasoline, Hexane, Naphtha, Benzene, Butane, Propane, Alcohol, Acetone, Benzol, Lacquer Solvent Vapors or Natural Gas.
  - Class I Group C locations are atmospheres containing elements such as Ethyl-ether, Ethylene and Cyclopropane.
  - Class II Group F & G locations are atmospheres containing dust such as (F) Carbon Black, coal or Coke Dust, (G) Flour, Starch or Grain Dusts.
2. As required by Underwriters Laboratories and Canadian Standards Association, explosion-proof motors with Class II Group F & G approvals must have over temperature protection.
  - Explosion-Proof Motors rated 1 1/2 HP or less have internally mounted automatic thermal overloads when indicated by suffix "A". Caution must be observed when applying these to machinery applications to prevent accidental injury should the thermal device automatically reset and restart the motor.
  - Explosion-Proof Motors rated 1 HP and larger without automatic thermal overloads have thermostats in the windings. These thermostats are pilot circuit devices to be connected to the magnetic starter circuit.
3. Surface temperatures of Baldor Explosion-Proof Motors will not exceed the following UL and CSA maximums under fault conditions.
  - A. Class I, Group D listings only.
    - ① Motors with Class B insulation will not exceed surface temperatures of 230°C (446°F) equivalent Code T2C.
    - ⑥ Motors with Class F insulation and 1.0 S.F. will not exceed surface temperatures of 280°C (536°F) equivalent to Code T2A.
  - B. Class I, Group C & D listings only.
    - ⑤ Motors with Class F insulation and 1.15 S.F. will not exceed surface temperature of 160°C (320°F) equivalent to Code T3C.
  - C. Class I, Group D, Class II Group F & G listings.
    - ③ Shunt wound DC motors, 182 through 215 frames, 1/2 through 3 HP, will not exceed surface temperatures of 165°C (329°F) equivalent to Code T3B.
    - ⑦ Fractional HP motors in Baldor type 35 will not exceed surface temperatures of 135°C (275°F) equivalent to Code T4.
    - ⑦ Frames 364T through 449T will not exceed surface temperatures of 135°C (275°F) equivalent Code T4.
    - ⑧ Fractional HP motors in Baldor type 34, and 1 HP motors and greater built in Baldor type 35, frames 143T through 326T will not exceed surface temperature of 160°C (320°F) equivalent to Code T3C.
    - ⑧ Fractional HP motors in Baldor type 34, and permanent magnet DC motors in Baldor type 34 and 35, will not exceed surface temperatures of 160°C (320°F) equivalent to Code T3C.
  - D. Class 1, Group C & D, Class II, Group F & G listings.
    - ② Baldor Frames 182T through 449T will not exceed surface temperatures of 135°C (275°F) Code T4.
4. Not suitable for applications in temperatures below -25°C (-13°F).
5. All Explosion-Proof motors are supplied with Explosion-Proof UL and CSA approved conduit boxes as standard.
6. **CAUTION:** Only explosion-proof motors which are specifically approved and UL Listed for use on adjustable frequency drives can be used on inverters. See pages 20-23.

Contact your local Baldor office for other Class and Group listings.

## Single Phase and Three Phase Explosion-Proof Motors with Rigid Base

These motors are ideal for a wide variety of applications where hazardous fumes or dust may be present. Available from stock in 1/4 hp through 300 hp, in NEMA frames 48 through 449T. All motors are UL and CSA approved for Class I – Group D and Class II – Group F and G, and are rated at a 1.0 Service Factor. Certain ratings (designated with ② next to catalog number) also approved for Class 1, Group C use.



### Performance Data, Single Phase

Hp	kW	RPM	Frame	Catalog No.	Amps @ High V		Full Load Torque Lb. Ft.	Efficiency %			Power Factor %			Bearings		Volt Code	"C" Dim.	Conn. Diag. No.
					Full Load	Locked Rotor		1/2	3/4	Full Load	1/2	3/4	Full Load	DE	ODE			
0.25	0.19	1725	48	L4003A⑧	2.5	11.0	0.78	42.2	50.0	55.0	45	50	57	6203	6203	A	12.85	CD0885
0.25	0.19	1725	56	L5000A⑧	2.5	9.95	0.75	40.0	50.0	55.0	40	49	57	6203	6203	B	13.22	CD0885
0.33	0.25	3450	48	L4005A⑧	3.0	14.0	0.52	46.9	53.8	55.0	47	56	68	6203	6203	B	12.85	CD0565
0.33	0.25	1725	48	L4006A⑧	3.0	13.0	1.0	41.0	52.0	60.0	41	52	60	6203	6203	A	12.85	CD0565
0.33	0.25	1725	56	L5001A⑧	3.0	13.0	1.0	41.0	52.0	60.0	41	52	60	6203	6203	A	13.22	CD0565
0.33	0.25	1140	56	L5002A⑦	3.4	13.0	1.5	41.5	50.1	54.0	42	50	56	6205	6203	B	14.30	CD0008
0.50	0.37	3450	56	L5003A⑧	3.7	18.5	0.75	49.7	57.4	57.0	49	61	71	6203	6203	B	13.22	CD0565
0.50	0.37	1725	48	L4009A⑧	3.7	19.41	1.5	55.2	62.0	64.0	48	59	66	6203	6203	A	13.85	CD0565
0.50	0.37	1725	56	L5004A⑧	3.7	19.41	1.5	55.2	62.0	64.0	48	59	66	6203	6203	A	14.22	CD0565
0.50	0.37	1140	56	L5005A⑦	4.0	19.0	2.3	57.0	62.3	59.0	41	49	63	6205	6203	B	15.17	CD0008
0.75	0.56	3450	56	L5006A⑦	4.9	28.3	1.13	50.0	58.0	62.0	60	70	75	6205	6203	B	14.30	CD0008
0.75	0.56	1725	56	L5007A⑦	5.3	34.0	2.3	58.2	65.4	66.0	45	56	68	6205	6203	B	15.17	CD0008
0.75	0.56	1140	56	L5022①	5.7	24.3	3.4	57.6	61.8	59.5	46	59	74	6205	6203	B	16.04	CD0001
1	0.75	3450	56	L5009A⑦	6.0	35.0	1.5	65.0	67.0	66.0	64	75	81	6205	6203	B	15.17	CD0008
1	0.75	1725	56	L5023A①	6.5	37.0	3.0	63.0	66.8	67.0	53	65	73	6205	6203	B	15.17	CD0008
1	0.75	1725	143T	L5023T①	6.4	39.0	3.0	67.6	70.0	67.0	53	67	73	6205	6203	A	15.23	CD0001
1	0.75	1140	184	L5026⑧	7.0	34.0	4.6	62.6	68.5	67.0	48	59	67	6206	6205	A	16.92	CD0001
1.5	1.1	3450	143T	L5030T⑧	7.5	42.0	2.3	65.3	68.4	70.0	64	73	82	6205	6203	A	15.23	CD0001
1.5	1.1	1725	184	L5013⑧	9.5	68.0	4.5	66.9	72.6	70.0	50	61	70	6206	6205	B	16.92	CD0001
2	1.5	3450	145T	L5031T⑧	11.5	78.0	3.0	64.2	70.5	74.0	65	75	82	6205	6203	A	16.11	CD0001
2	1.5	1725	182T	L5027T①	11.0	61.0	6.0	72.3	74.3	75.0	58	69	81	6206	6205	B	17.42	CD0001
3	2.2	3450	184T	L5028T①	14.5	86.0	4.5	71.0	73.5	76.0	83	88	87	6206	6205	B	17.42	CD0001
3	2.2	1725	215	L5018⑧	15.0	90.0	9.0	75.0	79.1	79.0	61	72	77	6307	6206	B	19.49	CD0076
5	3.7	1725	215	L5020①	21.0	139	15.1	84.1	85.7	84.0	87	91	92	6307	6206	C	19.90	CD0017A02

See page 17 for Layout drawing. See pages 29-31 for Connection Diagrams.

### Performance Data, Three Phase

Hp	kW	RPM	Frame	Catalog No.	Amps @ High V		Full Load Torque Lb. Ft.	Efficiency %			Power Factor %			Bearings		Volt Code	"C" Dim.	Conn. Diag. No.
					Full Load	Locked Rotor		1/2	3/4	Full Load	1/2	3/4	Full Load	DE	ODE			
0.25	0.19	1725	48	M6002A⑧	0.65	3.5	0.75	55.6	62.3	63.0	39	50	56	6203	6203	E	12.85	CD0007
0.33	0.25	1725	56	M7002A⑧	0.8	4.4	1.0	59.0	65.0	67.0	40	50	57	6203	6203	E	13.22	CD0007
0.33	0.25	1140	56	M7003A⑦	0.8	4.1	1.5	58.0	64.0	70.0	39	48	57	6205	6203	E	14.30	CD0007
0.50	0.37	3450	56	M7005A⑧	1.1	6.0	0.75	56.3	64.0	68.0	44	56	63	6203	6203	E	13.22	CD0007
0.50	0.37	1725	48	M6007A⑧	1.0	6.7	1.5	65.0	71.7	74.0	39	51	63	6203	6203	E	12.85	CD0007
0.50	0.37	1725	56	M7006A⑧	1.0	6.7	1.5	65.0	71.7	74.0	39	51	63	6203	6203	E	13.22	CD0007
0.50	0.37	1725	56	M7006-5⑧	0.9	5.9	1.5	59.0	66.7	74.0	41	52	60	6205	6203	H	14.30	CD0006
0.50	0.37	1140	56	M7007A⑦	1.2	5.8	2.25	57.0	64.0	70.0	37	47	55	6205	6203	E	14.30	CD0007
0.75	0.56	3450	56	M7009A⑧	1.3	7.6	1.2	70.6	73.6	75.0	58	67	73	6203	6203	E	13.22	CD0007
0.75	0.56	1725	56	M7010A⑧	1.5	10	2.25	69.7	74.7	73.0	42	55	58	6203	6203	E	14.22	CD0007
0.75	0.56	1725	56	M7010-5⑧	1.2	6.7	2.3	64.0	70.4	76.0	46	58	69	6205	6203	H	14.30	CD0006
0.75	0.56	1140	56	M7031A⑦	1.4	8.0	3.4	71.0	75.0	77.0	42	55	63	6205	6203	E	15.17	CD0007
0.75	0.56	1140	143T	M7031TA⑦	1.4	8.0	3.4	71.0	75.0	77.0	42	55	63	6205	6203	E	15.23	CD0007
1	0.75	3450	56	M7013⑧	1.8	11.0	1.5	72.1	76.8	75.5	53	68	71	6203	6203	E	13.22	CD0005
1	0.75	3450	56	M7013-5⑧	1.2	8.8	1.5	72.1	76.8	75.5	53	68	71	6203	6203	H	13.22	CD0006
1	0.75	1725	56	M7014⑧	1.7	11.5	3.0	73.6	77.8	77.0	47	59	74	6205	6203	E	14.30	CD0005

## Performance Data, Three Phase

Hp	kW	RPM	Frame	Catalog No.	Amps @ High V			Efficiency %			Power Factor %			Bearings		Volt Code	"C" Dim.	Conn. Diag. No.
					Full Load	Locked Rotor	Torque Lb. Ft.	1/2	3/4	Full Load	1/2	3/4	Full Load	DE	ODE			
1	0.75	1725	56	M7014-5⑧	1.4	9.2	3.0	73.6	77.8	75.0	47	59	74	6205	6203	H	14.30	CD0006
1	0.75	1750	143T	EM7114T-C②	1.4	14.0	3.0	83.8	86.2	85.5	58	72	78	6205	6203	E	16.28	CD0005
1	0.75	1740	143T	M7114T	1.4	10.3	3.0	81.4	83.8	82.5	59	72	80	6205	6203	E1	16.28	CD0005
1	0.75	1740	143T	M7014T⑧	1.4	9.7	3.0	81.2	82.9	82.5	63	74	80	6205	6203	E1	14.36	CD0005
1	0.75	1740	143T	M7014T-5⑧	1.2	7.8	3.0	81.2	82.9	82.5	63	74	80	6205	6203	H	14.36	CD0006
1	0.75	1725	182	M7015⑧	1.7	11.5	3.0	73.6	77.8	77.0	47	59	74	6205	6203	E	15.23	CD0005
1	0.75	1140	56	M7032①	1.7	8.0	4.5	71.1	74.1	75.5	47	58	69	6205	6203	E1	15.17	CD0005
1	0.75	1150	145T	M7032T①	1.8	8.6	4.6	79.9	81.7	80.0	45	57	67	6205	6203	F	15.23	CD0005
1.5	1.1	3450	143T	M7018T⑧	2.1	16.4	2.25	80.6	82.7	82.5	75	83	88	6205	6203	E1	14.36	CD0005
1.5	1.1	3470	143T	M7018T-5⑧	1.5	13.8	2.29	80.5	83.3	82.5	72	83	87	6205	6203	H	15.23	CD0006
1.5	1.1	1725	56	M7034⑧	2.5	17.0	4.5	73.6	77.1	78.5	50	63	72	6205	6203	E	14.30	CD0005
1.5	1.1	1740	145T	EM7134T-C②	2.0	16.8	4.5	86.4	87.6	86.5	61	73	80	6205	6203	F	16.28	CD0005
1.5	1.1	1740	145T	M7134T	2.1	20.0	4.5	86.4	87.7	84.0	57	71	79	6205	6203	E	16.28	CD0005
1.5	1.1	1740	145T	M7034T⑧	2.1	16.0	4.5	82.7	84.3	84.0	60	72	79	6205	6203	E1	15.23	CD0005
1.5	1.1	1740	145T	M7034T-5⑧	1.7	12.8	4.5	82.7	84.3	84.0	60	72	79	6205	6203	H	15.23	CD0006
1.5	1.1	1725	184	M7019⑧	2.5	17.0	4.5	73.6	77.1	78.5	50	63	72	6205	6203	E	15.23	CD0005
1.5	1.1	1165	182T	M7020T⑧	2.8	16.0	6.8	81.5	84.7	85.5	40	51	59	6206	6205	E1	17.42	CD0005
2	1.5	3450	145T	M7071T⑧	2.6	24.3	3.0	81.2	83.8	84.0	73	80	88	6205	6203	E1	15.23	CD0005
2	1.5	3450	145T	M7071T-5⑧	2.1	19.5	3.0	81.2	83.8	84.0	73	80	88	6205	6203	H	15.23	CD0006
2	1.5	1725	56	M7037⑧	3.1	22.0	6.0	82.2	83.7	82.5	59	72	77	6205	6203	E	15.17	CD0005
2	1.5	1725	145T	EM7137T-C②	2.7	20.8	6.0	87.3	88.2	86.5	65	77	82	6205	6203	E	16.28	CD0005
2	1.5	1740	145T	M7137T	2.8	22.7	6.0	83.2	85.2	84.0	57	70	79	6205	6203	E1	16.28	CD0005
2	1.5	1740	145T	M7037T⑧	2.8	21.6	6.1	83.6	85.1	84.0	61	74	81	6205	6203	E1	16.10	CD0005
2	1.5	1740	145T	M7037T-5⑧	2.2	16.8	6.0	83.8	85.2	84.0	61	73	79	6205	6203	H	15.23	CD0006
2	1.5	1725	184	M7023⑧	3.1	22.0	6.0	82.2	83.7	82.5	59	72	77	6205	6203	E	15.23	CD0005
2	1.5	1160	184T	M7041T⑧	3.3	18.2	9.1	84.8	86.6	86.5	49	60	67	6206	6205	E1	18.92	CD0005
3	2.2	3475	145T	M7075T①	3.7	37.4	4.6	85.4	86.4	85.5	80	87	91	6205	6203	F	17.48	CD0005
3	2.2	3450	184	M7026⑧	3.9	35.0	4.5	78.1	81.5	81.5	77	85	89	6205	6203	E	15.23	CD0005
3	2.2	3460	182T	M7026T⑧	3.7	30.5	4.7	84.9	96.2	85.5	80	88	91	6206	6205	E1	16.05	CD0005
3	2.2	1750	182T	M7042T⑧	4.1	34.6	9.0	86.4	88.1	87.5	58	70	78	6206	6205	E1	17.42	CD0005
3	2.2	1750	182T	M7042T-5⑧	3.3	25.9	8.9	86.1	87.8	87.5	59	71	78	6206	6205	H	17.42	CD0006
3	2.2	1760	182T	EM7142T-C②	4.0	31.7	9.0	89.1	90.0	88.5	62	73	80	6206	6205	E1	17.56	CD0005
3	2.2	1750	182T	M7142T⑧	4.8	32.4	8.9	86.1	87.8	87.5	59	71	78	6206	6205	E1	17.56	CD0005
3	2.2	1725	213	M7027⑧	4.5	26.9	9.0	79.7	82.3	80.0	56	68	75	6307	6206	E1	16.44	CD0005
3	2.2	1160	213T	M7036T⑧	4.8	28.4	13.5	86.1	87.7	87.5	48	59	66	6307	6206	E1	19.57	CD0005
5	3.7	3465	184T	M7072T⑧	5.6	58.3	7.6	86.3	87.7	87.5	88	93	93	6206	6205	E1	18.12	CD0005
5	3.7	3465	184T	M7072T-5⑧	5.5	46.6	7.6	86.3	87.7	87.5	88	93	93	6206	6205	H	18.12	CD0006
5	3.7	1750	184T	M7044T⑧	6.7	53.0	15.0	87.0	88.0	87.5	66	77	80	6206	6205	E1	17.37	CD0005
5	3.7	1750	184T	M7044T-5⑧	5.2	41.0	15.0	87.3	88.4	87.5	63	74	80	6206	6205	H	17.37	CD0006
5	3.7	1750	184T	EM7144T-C②	6.5	54.0	14.9	90.3	91.2	90.2	60	73	80	6206	6205	E1	17.56	CD0005
5	3.7	1750	184T	M7144T⑧	6.7	51.2	15.0	87.3	88.4	87.5	63	74	80	6206	6205	E1	17.56	CD0005
5	3.7	1725	215	M7030⑧	7.0	43.0	15.2	81.1	83.5	84.0	59	71	80	6307	6206	E	18.06	CD0005
5	3.7	1160	215T	M7040T⑧	8.1	53.6	22.7	85.6	87.6	87.5	45	57	65	6307	6206	E1	20.32	CD0005
7.5	5.6	3450	184T	M7073T①	8.3	80.9	11.5	89.6	89.6	88.5	92	95	96	6206	6205	F	18.92	CD0005
7.5	5.6	3500	213T	M7045T⑧	8.9	73.8	11.3	87.4	89.2	88.5	81	87	89	6307	6206	E1	19.57	CD0005
7.5	5.6	1760	213T	M7047T⑧	10.2	69.1	22.2	87.0	89.0	89.5	61	72	76	6307	6206	E1	20.32	CD0005
7.5	5.6	1760	213T	M7047T-5⑧	8.2	58.0	22.2	87.7	89.7	89.5	57	69	76	6307	6206	H	20.32	CD0006
7.5	5.6	1770	213T	EM7147T-C②	9.5	68.0	22.1	91.6	92.3	91.7	65	76	81	6307	6206	F	19.91	CD0005
7.5	5.6	1760	213T	M7147T⑧	9.8	65.6	22.3	88.9	88.9	89.5	61	74	80	6307	6206	F	19.90	CD0005
7.5	5.6	1175	254T	M7048T⑧	11.1	67.7	33.2	87.2	89.7	89.5	49	62	70	6309	6208	E1	25.50	CD0005
10	7.5	3480	215T	M7074T①	11.6	99.2	15.0	88.1	89.5	89.5	82	88	90	6307	6206	F	20.07	CD0005
10	7.5	3480	215T	M7174T⑧	11.6	99.2	15.0	88.1	89.5	89.5	82	88	90	6307	6206	F	19.90	CD0005
10	7.5	1770	215T	M7070T①	13.5	95.2	29.5	88.2	89.9	89.5	58	70	76	6307	6206	F	21.07	CD0005
10	7.5	1760	215T	EM7170T-C②	12.5	91.0	30.0	91.0	91.9	91.0	67	78	83	6307	6206	E1	19.91	CD0005
10	7.5	1760	215T	M7170T⑧	13.0	88.4	29.9	88.9	89.8	89.5	62	74	80	6307	6206	F	19.90	CD0005
10	7.5	1760	215T	M7170T-5⑧	11.4	80.0	29.9	87.8	89.6	89.5	54	67	73	6307	6206	H	19.90	CD0006
10	7.5	1175	256T	M7065T⑧	14.4	86.1	44.6	88.6	89.6	89.5	56	67	73	6309	6208	E1	25.50	CD0005

Volt Code: E= 208-230/460, E1=230/460 - usable @ 208v, F= 230/460, H= 575 volts.  
 Circled number next to Catalog number indicates the motor's temperature rating, approval class and group. See page 9.  
 Data subject to change without notice. Contact Baldor for certified data.  
 See page 16 for Layout drawing. See pages 29-31 for Connection Diagrams.  
 Shaded ratings are cast-iron frames.  
 ① Class I, Group D - Code T2C; ② Class I, Groups C & D; Class II, Groups F & G - Code T4; ③ Class I, Group D; Class II, Groups F & G - Code T4;  
 ④ Class I, Group D; Class II, Groups F & G - Code T3C See page 9 for additional information.

## Performance Data, Three Phase

Hp	kW	RPM	Frame	Catalog No.	Amps @ High V Full Load			Efficiency %			Power Factor %			Bearings		Volt Code	"C" Dim.	Conn. Diag. No.
					Full Load	Locked Rotor	Torque Lb. Ft.	1/2	3/4	Full Load	1/2	3/4	Full Load	DE	ODE			
15	11.2	3525	254T	M7053T(8)	17.0	117	22.3	89.5	90.7	90.2	81	87	89	6309	6208	E1	25.50	CD0005
15	11.2	1765	254T	EM7054T-C(2)	18.0	125	45.0	92.1	93.0	92.4	71	81	84	6309	6208	E1	25.50	CD0005
15	11.2	1770	254T	M7054T(8)	18.0	131	44.1	91.1	92.4	91.0	69	79	84	6309	6208	E1	25.50	CD0005
15	11.2	1770	254T	M7054T-5(8)	14.4	105	44.1	91.1	92.4	91.0	69	79	84	6309	6208	H	25.50	CD0006
15	11.2	1170	284T	M7057T(8)	19.5	130	67.5	87.0	89.2	90.2	66	75	80	6311	6309	E1	28.61	CD0005
20	14.9	3515	256T	M7059T(8)	23.0	153	30.0	89.4	90.6	90.2	82	88	90	6309	6208	E1	25.50	CD0005
20	14.9	1765	256T	EM7056T-C(2)	24.0	171	60.0	92.9	93.5	93.0	67	79	84	6309	6208	E1	25.50	CD0180
20	14.9	1760	256T	M7056T(8)	24.0	168	59.3	90.2	91.6	91.0	71	80	84	6309	6208	E1	25.50	CD0005
20	14.9	1760	256T	M7056T-5(8)	19.2	134	59.3	90.2	91.6	91.0	71	80	84	6309	6208	H	25.50	CD0006
20	14.9	1175	286T	M7079T(8)	25.5	159	89.6	88.6	89.9	90.2	69	78	82	6311	6309	E1	28.61	CD0005
25	18.7	3520	284TS	M7063T(8)	28.5	204	36.9	89.5	91.3	91.0	79	86	89	6311	6309	E1	27.24	CD0180
25	18.7	1780	284T	EM7058T-C(2)	30.5	188	74.0	93.4	93.9	93.6	69	78	82	6311	6309	E1	28.61	CD0005
25	18.7	1775	284T	M7058T(8)	30.8	188	74.4	90.0	91.8	92.4	71	80	84	6311	6309	E1	28.61	CD0005
25	18.7	1775	284T	M7058T-5(8)	24.6	150	74.4	90.0	91.8	92.4	71	80	84	6311	6309	H	28.61	CD0006
25	18.7	1160	324T	M7082T(8)	31.0	222	111	91.6	92.4	91.7	69	78	81	6312	6311	E1	32.00	CD0005
30	22.4	3520	286TS	M7083T(8)	33.0	243	43.9	89.1	90.9	91.0	83	89	91	6311	6309	F	27.24	CD0180
30	22.4	1780	286T	EM7060T-C(2)	36.0	214	90.0	93.8	94.4	94.1	69	79	84	6311	6309	E1	28.61	CD0005
30	22.4	1770	286T	M7060T(8)	36.0	208	89.3	91.6	92.7	92.4	72	81	84	6311	6309	E1	28.61	CD0005
30	22.4	1770	286T	M7060T-5(8)	28.8	166	90.0	90.1	91.7	92.4	73	81	84	6311	6309	H	28.61	CD0006
30	22.4	1160	326T	M7080T(8)	37.0	266	134	91.3	92.4	91.7	71	79	83	6312	6311	E1	32.00	CD0180
40	30	3530	324TS	M7067T(8)	45.0	285	59.5	90.9	91.8	91.7	84	88	90	6312	6311	E1	30.50	CD0180
40	30	1775	324T	EM7062T-C(2)	46.0	320	118	93.9	94.6	94.5	73	81	86	6312	6311	E1	32.12	CD0180
40	30	1775	324T	M7062T(8)	47.0	322	118	93.1	94.1	93.0	74	82	86	6312	6311	E1	32.00	CD0180
40	30	1775	324T	M7062T-5(8)	37.6	258	118	93.1	94.1	93.0	74	82	86	6312	6311	H	32.00	CD0006
40	30	1180	364T	M7084T	49.0	316	178	91.8	93.1	93.0	70	79	82	6313	6312	E1	33.25	CD0005
50	37	3540	326TS	M7081T(8)	56.0	407	74.2	91.2	92.4	92.4	82	88	90	6312	6311	E1	30.50	CD0180
50	37	1775	326T	EM7064T-C(2)	57.0	392	149	94.4	94.9	94.5	73	82	87	6312	6311	E1	32.12	CD0180
50	37	1775	326T	M7064T(8)	60.0	398	149	91.4	92.9	93.0	75	83	86	6312	6311	E1	32.00	CD0180
50	37	1180	365T	M7085T(7)	61.0	421	222	92.3	93.1	93.0	70	79	83	6313	6312	E1	33.25	CD0005
60	45	1780	364T	EM7066T-C(2)	69.0	447	177	94.7	95.2	94.5	74	82	86	6313	6312	E1	33.25	CD0180
60	45	1780	364T	M7066T(7)	69.0	441	177	92.2	93.5	93.6	75	83	86	6313	6312	F	33.25	CD0180
60	45	1185	404T	M7086T(7)	70.0	446	266	93.1	93.7	93.6	76	84	86	6316	6313	E1	38.75	CD0180
75	56	1780	365T	M7068T(2)	85.0	608	222	93.6	94.5	94.1	78	85	88	6313	6312	E1	33.25	CD0005
75	56	1185	405T	M7087T(7)	88.0	575	332	93.8	94.2	93.6	75	83	85	6316	6313	F	38.75	CD0180
100	75	1780	405T	M7090T(2)	113	703	295	94.8	95.2	94.5	79	85	87	6316	6313	E1	38.75	CD0180
125	93	1780	444T	M74124T-4(2)	143	894	370	94.5	95.1	94.5	79	85	86	6319	6314	G	44.25	CD0006
150	112	1780	445T	M74154T-4(2)	167	1178	442	95.6	96.0	95.0	80	87	88	6319	6314	G	44.25	CD0006
200	149	1785	447T	M74204T-4(2)	224	1448	588	95.0	95.5	95.0	80	88	89	6319	6314	G	52.75	CD0006
250	187	1785	447T	M74254T-4(2)	284	1830	736	94.8	95.1	95.0	84	88	89	6319	6314	G	52.75	CD0006
300	224	1785	449T	M74304T-4(2)	330	2241	883	95.1	95.8	95.0	80	88	90	6319	6314	G	54.25	CD0006

Volt Code: E1= 230/460 volts usable at 208 volts, F=230/460, G=460 Volt, H=575 volts. Circled number next to Catalog number indicates the motor's temperature rating, approval class and group. See page 9. Data subject to change without notice. Contact Baldor for certified data. See page 16 for Layout drawing. See pages 29-31 for Connection Diagrams. Shaded ratings are cast-iron frames. (2) Class I, Groups C & D; Class II, Groups F & G - Code T4; (7) Class I, Group D; Class II, Groups F & G - Code T4; (8) Class I, Group D; Class II, Groups F & G - Code T3C. See page 9 for additional information.

## 50 Hz. Explosion-Proof Motors Performance Data, IP54, C-Face

Hp	kW	RPM	Frame	Catalog No.	Amps @ High V			Efficiency %			Power Factor %			Bearings		Volt Code	"C" Dim.	Conn. Diag. No.
					Full Load	Locked Rotor	Full Load Torque Lb. Ft.	1/2	3/4	Full Load	1/2	3/4	Full Load	DE	ODE			
0.33	0.25	1425	56C	CL5001A-50(8)	2.6	13.0	1.2	50.6	58.3	59.5	46	56	68	6203	6203	J	14.22	CD0565
0.50	0.37	1425	56C	CL5004A-50(8)	3.6	17.0	1.8	62.2	67.5	62.0	57	69	76	6203	6203	J	15.22	CD0565
0.50	0.37	1425	56C	CM7006-50(8)	1.0	6.0	1.8	64.2	70.0	74.0	46	60	69	6203	6203	K	14.22	CD0044
0.75	0.56	1425	56C	CL5007A-50(1)	4.8	23.0	2.7	66.6	71.4	70.0	56	68	76	6205	6203	J	15.17	CD0008
0.75	0.56	1425	56C	CM7010-50(8)	1.4	10.0	2.7	68.5	73.5	75.5	45	57	76	6203	6203	K	15.22	CD0044
1	0.75	2850	56C	CM7013-50(8)	1.7	12.2	1.8	71.9	77.0	80.0	53	65	74	6203	6203	K	14.22	CD0044
1	0.75	1425	56C	CL5023-50(8)	6.2	33.0	3.6	67.0	69.0	68.0	63	75	82	6205	6203	J	16.05	CD0001
1	0.75	1425	56C	CM7014-50(8)	1.8	11.0	3.7	75.4	76.6	74.0	55	68	76	6203	6203	K	15.22	CD0044
1.5	1.1	2850	143TC	CM7018T-50(8)	2.2	15.0	2.8	75.6	79.1	81.5	67	79	88	6205	6203	K	14.36	CD0044
1.5	1.1	1425	143TC	CM7034T-50(8)	2.2	16.0	5.6	76.8	79.5	81.5	59	72	81	6205	6203	K	15.23	CD0044
2	1.5	2850	145TC	CM7071T-50(8)	2.8	20.5	3.7	76.6	80.0	80.0	73	83	89	6205	6203	K	15.23	CD0044
2	1.5	1425	145TC	CM7037T-50(8)	3.0	23.0	7.4	81.5	82.9	81.5	58	71	79	6205	6203	K	16.10	CD0044
2	1.5	1425	182TC	CL5027T-50(1)	11.5	74.0	7.4	76.0	78.0	77.0	56	68	78	6206	6205	J	20.36	CD0001

## Explosion-Proof Motors Three Phase -1.15 Service Factor - Rigid Base

Baldor has a family of explosion proof motors designed for on and off shore drill rig service, bulk fuel terminals, and transfer stations. For use in high humidity hazardous-duty applications driving pumps, compressors, blowers, fans, and many other loads that require 1.15 service factor explosion-proof motors. Designed with features for use in the petroleum industry. Includes Class 1, Group C & D approval for use in areas where hydrogen sulfide is present.

These motors feature Labyrinth-type recessed shaft slinger for increased bearing protection.

Explosion-proof breather/drain to prevent build up of condensation. Class F insulation.

Corrosion resistant finish with two part epoxy coating. UL and CSA approved for Class I, Group C & D. 1.15 service factor.



### 3 thru 100 Hp NEMA 182T thru 405T

Hp	kW	RPM	Frame	Catalog No.	Amps @ High V		Full Load Torque Lb. Ft.	Efficiency %			Power Factor %			Bearings		Volt Code	"C" Dim.	Conn. Diag. No.
					Full Load	Locked Rotor		1/2	3/4	Full Load	1/2	3/4	Full Load	DE	ODE			
<b>Rigid Base</b>																		
3	2.2	1750	182T	M7042T-I	4.1	34.6	9.0	86.4	88.1	87.5	58	70	78	6206	6205	U	18.27	CD0005
		1750	182T	M7042T-I-5	3.3	25.9	8.9	86.1	87.8	87.5	59	71	78	6206	6205	H	18.27	CD0006
5	3.7	1750	184T	M7044T-I	6.7	53.0	15.0	87.3	88.4	87.5	63	74	80	6206	6205	U	18.27	CD0005
		1750	184T	M7044T-I-5	5.2	41.0	15.0	87.3	88.4	87.5	63	74	80	6206	6205	H	18.27	CD0006
7.5	5.6	1760	213T	M7047T-I	10.2	69.1	22.2	87.0	89.0	89.5	61	72	76	6307	6206	U	20.32	CD0005
		1760	213T	M7047T-I-5	8.2	58.0	22.2	87.7	89.7	89.5	57	69	76	6307	6206	H	20.32	CD0006
10	7.5	1760	215T	M7170T-I	14.2	100	29.9	87.8	89.6	89.5	54	67	73	6307	6206	U	20.03	CD0005
		1760	215T	M7170T-I-5	11.4	80.0	29.9	87.8	89.6	89.5	54	67	73	6307	6206	H	20.03	CD0006
15	11.2	1770	254T	M7054T-I	18.0	131	44.1	91.1	92.4	91.0	69	79	84	6309	6208	U	25.50	CD0005
		1770	254T	M7054T-I-5	14.4	105	44.1	91.1	92.4	91.0	69	79	84	6309	6208	H	25.50	CD0006
20	14.9	1760	256T	M7056T-I	24.0	168	59.3	90.2	91.6	91.0	71	80	84	6309	6208	U	25.50	CD0005
		1760	256T	M7056T-I-5	19.2	134	59.3	90.2	91.6	91.0	71	80	84	6309	6208	H	25.50	CD0006
25	18.7	1775	284T	M7058T-I	30.8	188	74.4	90.0	91.8	92.4	71	80	84	6311	6309	U	28.61	CD0005
		1775	284T	M7058T-I-5	24.6	150	74.4	90.0	91.8	92.4	71	80	84	6311	6309	H	28.61	CD0006
30	22.4	1770	286T	M7060T-I	36.0	208	90.0	90.1	91.7	92.4	73	81	84	6311	6309	U	28.61	CD0005
		1770	286T	M7060T-I-5	28.8	166	90.0	90.1	91.7	92.4	73	81	84	6311	6309	H	28.61	CD0006
40	30	1775	324T	M7062T-I	47.0	322	118	93.1	94.1	93.0	74	82	86	6312	6311	U	32.00	CD0180
		1775	324T	M7062T-I-5	37.6	258	118	93.1	94.1	93.0	74	82	86	6312	6311	H	32.00	CD0006
50	37	1775	326T	M7064T-I	60.0	398	149	91.4	92.9	93.0	75	83	86	6312	6311	U	32.00	CD0180
		1775	326T	M7064T-I-5	47.0	304	148	94.2	94.7	93.0	72	81	86	6312	6311	H	32.00	CD0006
60	45	1780	364T	M7066T-I	69.0	441	177	92.2	93.5	93.6	75	83	86	6313	6312	U	33.25	CD0180
		1780	364T	M7066T-I-5	56.0	362	177	94.7	95.2	93.6	71	81	86	6313	6312	H	33.25	CD0006
75	56	1780	365T	M7068T-I	85.0	608	222	93.6	94.5	94.1	78	85	88	6313	6312	U	33.25	CD0005
		1780	365T	M7068T-I-5	69.0	506	222	93.6	94.5	94.1	78	85	88	6313	6312	H	33.25	CD0006
100	75	1780	405T	M7090T-I	113.0	703	295	94.8	95.2	94.5	79	85	87	6316	6313	U	38.75	CD0180
		1775	405T	M7090T-I-5	87.0	608	295	94.2	94.9	94.5	82	89	91	6316	6313	H	38.75	CD0006

### NEMA C-Face with Base, No Drip Cover

3	2.2	1750	182TC	CM7042T-I	4.1	34.6	9.01	86.4	88.1	87.5	58	70	78	6206	6205	U	19.59	CD0005
5	3.7	1750	184TC	CM7044T-I	6.7	53.0	15.0	87.3	88.4	87.5	63	74	80	6206	6205	U	19.59	CD0005
7.5	5.6	1760	213TC	CM7047T-I	10.2	69.1	22.2	87.0	89.0	89.5	61	72	76	6307	6206	U	21.07	CD0005
10	7.5	1760	215TC	CM7170T-I	14.2	100	29.9	87.8	89.6	89.5	54	67	73	6307	6206	U	20.77	CD0005
15	11.2	1770	254TC	CM7054T-I	18.0	131	44.1	91.1	92.4	91.0	69	79	84	6309	6208	U	26.00	CD0005
20	14.9	1760	256TC	CM7056T-I	24.0	168	59.3	90.2	91.6	91.0	71	80	84	6309	6208	U	26.00	CD0005
25	18.7	1775	284TC	CM7058T-I	30.8	188	74.4	90.0	91.8	92.4	71	80	84	6311	6309	U	28.61	CD0005
30	22.4	1770	286TC	CM7060T-I	36.0	208	90.0	90.1	91.7	92.4	73	81	84	6311	6309	U	28.61	CD0005
50	37.0	1775	326TC	CM7064T-I	60.0	398	149	91.4	92.9	93.0	75	83	86	6312	6311	U	32.00	CD0180

**NOTE:** Voltage @ 50/60 Hz: U= 190/380//230/460 volts, 50/60 Hz, H = 575 volts.  
See notes on page 9. Ⓢ = Class 1, Group C & D only, T3C.

Shaded ratings are cast iron frames.

**NOTE:** These motors expel condensation better than standard explosion proof designs. They are recommended for applications such as fuel transfer terminals and fuel truck loading facilities where motors may run intermittently, applications where explosion-proof motors are installed outdoors exposed to the environment, and may not be operated for extended periods of time. These explosion-proof motors are not suitable for use with adjustable speed drives inverter duty explosion-proof motors must be used.

## Explosion-Proof C-Face Motors

These motors carry the same explosion-proof specs as Baldor's rigid base motors, with NEMA C-face mounting configurations. Available from stock in single and three phase, 1/3 hp through 50 hp, in NEMA frames 56C through 326TC. All motors are UL and CSA approved for Class I – Group D and Class II – Group F and G, and are rated at a 1.0 Service Factor.



### Performance Data, Single Phase

Hp	kW	RPM	Frame	Catalog No.	Amps @ High V		Full Load Torque Lb. Ft.	Efficiency %			Power Factor %			Bearings		Volt Code	"C" Dim.	Conn. Diag. No.
					Full Load	Locked Rotor		1/2	3/4	Full Load	1/2	3/4	Full Load	DE	ODE			
0.33	0.25	1725	56C	CL5001A <sup>Ⓢ</sup>	3.0	13.0	1.0	41.0	52.0	60.0	41	52	60	6203	6203	A	13.22	CD0565
0.33	0.25	1725	56C	VL5001A <sup>Ⓢ</sup>	3.0	13.0	1.0	41.0	52.0	60.0	41	52	60	6203	6203	A	13.22	CD0565
0.33	0.25	1140	56C	VL5002A <sup>Ⓢ</sup>	3.4	13.0	1.5	41.5	50.1	54.0	42	50	56	6205	6203	B	14.30	CD0008
0.50	0.37	3450	56C	CL5003A <sup>Ⓢ</sup>	3.7	18.5	0.75	49.7	57.4	57.0	49	61	71	6203	6203	B	13.22	CD0565
0.50	0.37	3450	56C	VL5003A <sup>Ⓢ</sup>	3.7	18.5	0.75	49.7	57.4	57.0	49	61	71	6203	6203	B	13.22	CD0565
0.50	0.37	1725	56C	CL5004A <sup>Ⓢ</sup>	3.7	19.41	1.5	55.2	62.0	64.0	48	59	66	6203	6203	A	14.22	CD0565
0.50	0.37	1725	56C	VL5004A	3.7	19.41	1.5	55.2	62.0	64.0	48	59	66	6203	6203	A	14.22	CD0565
0.50	0.37	1140	56C	VL5005A <sup>Ⓢ</sup>	4.0	19.0	2.3	57.0	62.3	59.0	41	49	63	6205	6203	B	15.17	CD0008
0.75	0.56	3450	56C	VL5006A <sup>Ⓢ</sup>	4.9	28.3	1.2	50.0	58.0	62.0	60	70	75	6205	6203	B	14.30	CD0008
0.75	0.56	1725	56C	CL5007A <sup>Ⓢ</sup>	5.3	34.0	2.3	58.2	65.4	66.0	45	56	68	6205	6203	B	15.17	CD0008
0.75	0.56	1725	56C	VL5007A <sup>Ⓢ</sup>	5.3	34.0	2.3	58.2	65.4	66.0	45	56	68	6205	6203	B	15.17	CD0008
1	0.75	3450	56C	CL5009A <sup>Ⓢ</sup>	6.0	35.0	1.5	65.0	67.0	66.0	64	75	81	6205	6203	B	15.17	CD0008
1	0.75	3450	56C	VL5009A <sup>Ⓢ</sup>	6.0	35.0	1.5	65.0	67.0	66.0	64	75	81	6205	6203	B	15.17	CD0008
1	0.75	1725	56C	CL5023A <sup>Ⓢ</sup>	6.5	37.0	3.0	63.0	66.8	67.0	53	65	73	6205	6203	B	15.17	CD0008
1	0.75	1725	56C	VL5023A <sup>Ⓢ</sup>	6.5	37.0	3.0	63.0	66.8	67.0	53	65	73	6205	6203	B	15.17	CD0008
1.5	1.1	3450	143TC	CL5030T <sup>Ⓢ</sup>	7.5	42.0	2.3	65.3	68.4	70.0	64	73	82	6205	6203	A	15.23	CD0001
1.5	1.1	1725	184C	CL5013 <sup>Ⓢ</sup>	9.5	68.0	4.5	66.9	72.6	70.0	50	61	70	6206	6205	B	16.93	CD0001
1.5	1.1	1725	56C	VL5024A <sup>Ⓢ</sup>	8.0	47.0	4.5	73.9	77.8	75.0	59	72	78	6205	6203	B	17.42	CD0008
2	1.5	3450	143TC	CL5031T <sup>Ⓢ</sup>	11.5	78.0	3.0	64.2	70.5	74.0	65	75	82	6205	6203	A	16.10	CD0001
2	1.5	1725	182TC	CL5027T <sup>Ⓢ</sup>	11.0	61.0	6.0	72.3	74.3	75.0	58	69	81	6206	6205	B	18.86	CD0001
2	1.5	1725	184C	VL5027 <sup>Ⓢ</sup>	11.0	61.0	6.0	72.3	74.3	75.0	58	69	81	6206	6205	A	16.93	CD0001
3	2.2	3450	184TC	CL5028T <sup>Ⓢ</sup>	14.5	86.0	4.5	71.0	73.5	76.0	83	88	87	6206	6205	B	18.86	CD0001
3	2.2	1725	215C	CL5018 <sup>Ⓢ</sup>	15.0	90.0	9.0	75.0	79.1	79.0	61	72	77	6307	6206	B	19.56	CD0076
5	3.7	1725	215C	CL5020 <sup>Ⓢ</sup>	21.0	139	15.1	84.1	85.7	84.0	87	91	92	6307	6206	C	20.69	CD0017A02

### Performance Data, Three Phase

Hp	kW	RPM	Frame	Catalog No.	Amps @ High V		Full Load Torque Lb. Ft.	Efficiency %			Power Factor %			Bearings		Volt Code	"C" Dim.	Conn. Diag. No.
					Full Load	Locked Rotor		1/2	3/4	Full Load	1/2	3/4	Full Load	DE	ODE			
0.33	0.25	1725	56C	VM7002A <sup>Ⓢ</sup>	0.8	4.4	1.0	59.0	65.0	67.0	40	50	57	6203	6203	E	13.22	CD0007
0.50	0.37	3450	56C	CM7005A <sup>Ⓢ</sup>	1.1	6.0	0.75	56.3	64.0	68.0	44	56	63	6203	6203	E	13.22	CD0007
0.50	0.37	3450	56C	VM7005A <sup>Ⓢ</sup>	1.1	6.0	0.75	56.3	64.0	68.0	44	56	63	6203	6203	E	13.22	CD0007
0.50	0.30	1725	56C	CM7006A <sup>Ⓢ</sup>	1.0	6.7	1.5	65.0	71.7	74.0	39	51	63	6203	6203	E	13.22	CD0007
0.50	0.37	1725	56C	VM7006-5 <sup>Ⓢ</sup>	0.9	5.9	1.5	59.0	66.7	74.0	41	52	60	6205	6203	H	14.30	CD0006
0.50	0.37	1725	56C	VM7006A <sup>Ⓢ</sup>	1.0	6.7	1.5	65.0	71.7	74.0	39	51	63	6203	6203	E	13.22	CD0007
0.50	0.37	1140	56C	VM7007A <sup>Ⓢ</sup>	1.2	5.8	2.3	57.0	64.0	70.0	37	47	55	6205	6203	E	14.30	CD0007
0.75	0.56	3450	56C	CM7009A <sup>Ⓢ</sup>	1.3	7.6	1.2	70.6	73.6	75.0	58	67	73	6203	6203	E	13.22	CD0007
0.75	0.56	3450	56C	VM7009A <sup>Ⓢ</sup>	1.3	7.6	1.2	70.6	73.6	75.0	58	67	73	6203	6203	E	13.22	CD0007
0.75	0.56	1725	56C	CM7010A <sup>Ⓢ</sup>	1.5	10.0	2.3	69.7	74.7	73.0	42	55	58	6203	6203	E	14.22	CD0007
0.75	0.56	1725	56C	VM7010-5 <sup>Ⓢ</sup>	1.2	6.7	2.3	64.0	70.4	76.0	46	58	69	6205	6203	H	14.30	CD0006
0.75	0.56	1725	56C	VM7010A <sup>Ⓢ</sup>	1.5	10.0	2.3	69.7	74.7	73.0	42	55	58	6203	6203	E	14.22	CD0007
0.75	0.56	1140	56C	VM7031A <sup>Ⓢ</sup>	1.4	8.0	3.4	71.0	75.0	77.0	42	55	63	6205	6203	E	15.17	CD0007

Volt Code: A=115/208-230, B=115/230, C=230, E=208-230/460, H=575 volts. Circled number next to Catalog number indicates the motor's temperature rating, approval class and group. See page 9 Contact Baldor for certified data. See page 17 for layout drawing. See pages 29-31 for Connection Diagrams.

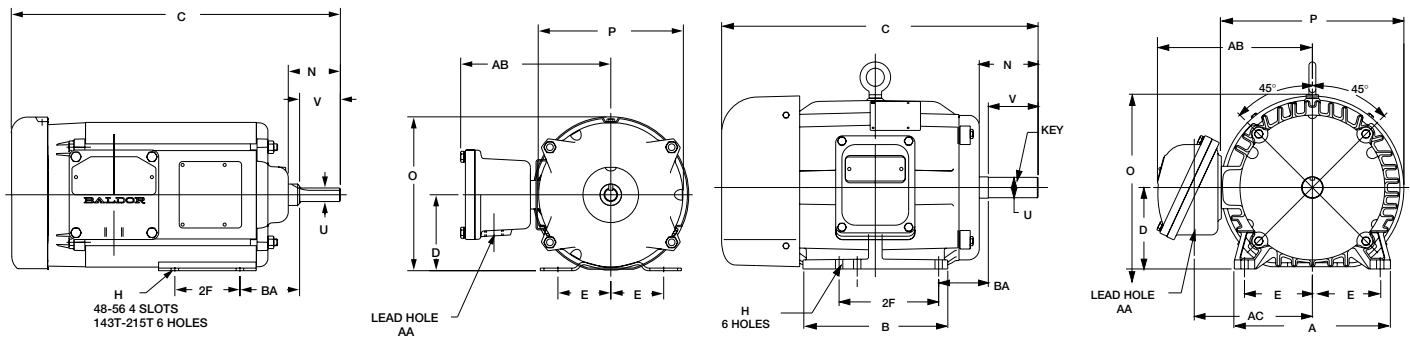
## Performance Data, Three Phase

Hp	kW	RPM	Frame	Catalog No.	Amps @ High V/Full Load			Efficiency %			Power Factor %			Bearings		Volt Code	"C" Dim.	Conn. Diag. No.
					Full Load	Locked Rotor	Torque Lb. Ft.	1/2	3/4	Full Load	1/2	3/4	Full Load	DE	ODE			
1	0.75	3450	56C	CM7013⑧	1.8	11.0	1.5	72.1	76.8	75.5	53	68	71	6203	6203	E	13.22	CD0005
1	0.75	3450	56C	VM7013⑧	1.8	11.0	1.5	72.1	76.8	75.5	53	68	71	6203	6203	E	13.22	CD0005
1	0.75	1725	56C	CM7014⑧	1.7	11.5	3.0	73.6	77.8	77.0	47	59	74	6205	6203	E	14.30	CD0005
1	0.75	1725	56C	VM7014⑧	1.8	14.6	3.0	70.5	76.0	75.5	46	57	64	6203	6203	E	15.22	CD0005
1	0.75	1725	56C	VM7014-5⑧	1.4	9.2	3.0	73.6	77.8	75.0	47	59	74	6205	6203	H	14.30	CD0006
1	0.75	1740	143TC	CM7014T⑧	1.4	9.7	3.0	81.2	82.9	82.5	63	74	80	6205	6203	E1	14.36	CD0005
1	0.75	1725	143TC	VM7014T⑧	1.7	11.5	3.0	73.6	77.8	77.0	47	59	74	6205	6203	E	14.36	CD0005
1	0.75	1725	143TC	VM7014T-5⑧	1.4	9.2	3.0	73.6	77.8	75.0	47	59	74	6205	6203	H	14.36	CD0006
1	0.75	1140	56C	VM7032①	1.9	8.0	4.5	71.1	74.1	75.5	47	58	69	6205	6203	E1	15.17	CD0005
1.5	1.1	3470	143TC	CM7018T⑧	2.1	16.4	2.3	80.6	82.7	82.5	75	83	88	6205	6203	E1	15.23	CD0005
1.5	1.1	3450	143TC	VM7018T⑧	2.3	16.0	2.3	66.7	72.7	75.5	59	71	76	6205	6203	E	14.36	CD0005
1.5	1.1	1725	56C	CM7034⑧	2.5	17.0	4.5	73.6	77.1	78.5	50	63	72	6205	6203	E	14.30	CD0005
1.5	1.1	1725	56C	VM7034⑧	2.5	17.0	4.5	73.6	77.1	78.5	50	63	72	6205	6203	E	14.30	CD0005
1.5	1.1	1740	145TC	CM7034T⑧	2.1	16.0	4.5	82.7	84.3	84.0	60	72	79	6205	6203	E1	15.23	CD0005
1.5	1.1	1725	145TC	VM7034T⑧	2.5	17.0	4.5	73.6	77.1	78.5	50	63	72	6205	6203	E	14.36	CD0005
1.5	1.1	1725	145TC	VM7034T-5⑧	1.7	12.8	4.5	82.7	84.3	84.0	60	72	79	6205	6203	H	15.23	CD0006
1.5	1.1	1140	145TC	VM7035T①	2.6	12.5	6.8	76.0	79.0	80.0	52	66	67	6205	6203	F	16.10	CD0005
2	1.5	3450	145TC	CM7071T⑧	2.6	24.3	3.0	81.2	83.8	84.0	73	80	88	6205	6203	E1	15.23	CD0005
2	1.5	3450	145TC	VM7071T⑧	2.7	17.5	3.0	78.2	80.3	78.5	80	87	93	6205	6203	E	15.23	CD0005
2	1.5	1725	56C	CM7037⑧	3.1	22.0	6.0	82.2	83.7	82.5	59	72	77	6205	6203	E	15.17	CD0005
2	1.5	1725	56C	VM7037⑧	3.1	22.0	6.0	82.2	83.7	82.5	59	72	77	6205	6203	E	15.17	CD0005
2	1.5	1740	145TC	CM7037T⑧	2.8	21.0	6.0	83.8	85.2	84.0	61	73	79	6205	6203	E1	15.23	CD0005
2	1.5	1725	145TC	VM7037T⑧	3.1	22.0	6.0	82.2	83.7	82.5	59	72	77	6205	6203	E	15.23	CD0005
2	1.5	1740	145TC	VM7037T-5⑧	2.2	16.8	6.0	83.8	85.2	84.0	61	73	78	6205	6203	H	15.23	CD0006
3	2.2	3475	145TC	CM7075T①	3.7	37.4	4.7	85.4	86.4	85.5	80	87	91	6205	6203	F	17.48	CD0005
3	2.2	3450	145TC	VM7075T①	3.8	32.9	4.6	83.0	84.3	82.5	74	83	89	6205	6203	E	15.23	CD0005
3	2.2	3450	182TC	VM7026T⑧	3.9	35.0	4.5	78.1	81.5	81.5	77	85	89	6206	6205	E	17.49	CD0005
3	2.2	1750	182TC	CM7042T⑧	4.1	34.6	9.0	86.4	88.1	87.5	58	70	78	6206	6205	E1	18.86	CD0005
3	2.2	1725	182TC	VM7042T⑧	4.3	30.0	9.0	82.6	84.5	82.5	59	72	75	6206	6205	E1	17.49	CD0005
3	2.2	1750	182TC	VM7042T-5⑧	3.3	25.9	8.9	86.1	87.8	87.5	59	71	78	6206	6205	H	18.86	CD0006
5	3.7	3465	184TC	CM7072T⑧	5.6	58.3	7.6	86.3	87.7	87.5	88	93	93	6206	6205	E1	18.86	CD0005
5	3.7	3450	184TC	VM7072T⑧	6.0	47.0	7.5	85.8	86.5	85.5	88	93	93	6206	6205	E	18.06	CD0005
5	3.7	1750	184TC	CM7044T⑧	6.7	53.0	15.0	87.0	88.0	87.5	66	77	80	6206	6205	E1	18.80	CD0005
5	3.7	1725	184TC	VM7044T⑧	6.5	53.0	15.0	87.1	87.2	86.5	74	83	85	6206	6205	E1	18.80	CD0005
5	3.7	1750	184TC	VM7044T-5⑧	5.2	41.0	15.0	87.3	88.4	87.5	63	74	80	6206	6205	H	18.80	CD0006
7.5	5.6	3450	184TC	CM7073T①	8.3	80.9	11.5	89.6	89.6	88.5	92	95	96	6206	6205	F	20.36	CD0005
7.5	5.6	3450	184TC	VM7073T①	8.8	76.0	11.3	85.4	87.5	87.5	85	90	91	6206	6205	F	20.36	CD0005
7.5	5.6	3500	213TC	CM7045T⑧	8.9	73.8	11.3	87.4	89.2	88.5	81	87	89	6307	6206	E1	20.33	CD0005
7.5	5.6	3450	213TC	VM7045T⑧	9.3	88.7	11.4	82.6	85.4	84.0	84	89	88	6307	6206	E1	19.19	CD0005
7.5	5.6	1760	213TC	CM7047T⑧	10.2	69.1	22.2	87.0	89.0	89.5	61	72	76	6307	6206	E1	21.08	CD0005
7.5	5.6	1760	213TC	VM7047T⑧	10.5	81.0	22.3	84.8	86.7	86.5	61	72	78	6307	6206	E1	19.19	CD0005
7.5	5.6	1725	213TC	VM7047T-5⑧	8.2	58.0	22.2	87.7	89.7	89.5	57	69	76	6307	6206	H	19.19	CD0006
10	7.5	3480	215TC	CM7174T⑧	11.6	99.2	15.0	88.1	89.5	89.5	82	88	90	6307	6206	F	20.65	CD0005
10	7.5	1760	215TC	CM7170T⑧	13.0	88.4	29.9	88.9	89.8	89.5	62	74	80	6307	6206	F	20.65	CD0005
10	7.5	1760	215TC	VM7170T⑧	13.3	95.0	29.8	87.3	88.1	87.5	62	74	82	6307	6206	E1	20.65	CD0005
15	11.2	3525	254TC	CM7053T⑧	17.0	117	22.3	89.5	90.7	90.2	81	87	89	6309	6208	E1	26.00	CD0005
15	11.2	1770	254TC	CM7054T⑧	18.0	131	44.1	91.1	92.4	91.0	69	79	84	6309	6208	E1	26.00	CD0005
20	14.9	3525	256TC	CM7059T⑧	23.0	153	30.0	89.4	90.6	90.2	82	88	90	6309	6208	E1	26.00	CD0005
20	14.9	1760	256TC	CM7056T⑧	24.0	168	59.3	90.2	91.6	91.0	71	80	84	6309	6208	E1	26.00	CD0005
25	18.7	3540	286TSC	CM7063T⑧	28.5	204	36.9	89.5	91.3	91.0	79	86	89	6311	6309	E1	27.24	CD0180
25	18.7	1775	284TC	CM7058T⑧	30.8	188	74.4	90.0	91.8	92.4	71	80	84	6311	6309	E1	28.61	CD0005
30	22.4	1770	286TC	CM7060T⑧	36.0	208	89.3	91.6	92.7	92.4	72	81	84	6311	6309	E1	28.61	CD0005
40	30	1775	324TC	CM7062T⑧	47.0	322	118	93.1	94.1	93.0	74	82	86	6312	6311	E1	32.00	CD0180
50	37	1775	326TC	CM7064T⑧	60.0	398	149	91.4	92.9	93.0	75	83	86	6312	6311	E1	32.00	CD0180

Volt Code: E=208-230/460, E1= 230/460 volts usable at 208 volts, F=230/460, H=575 volts. Circled number next to Catalog number indicates the motor's temperature rating, approval class and group. See page 9. Data subject to change without notice. Contact Baldor for certified data. See page 17 for Layout drawing. See pages 29-31 for Connection Diagrams. Shaded ratings are cast-iron frames. ① Class I, Group D - Code T2C; ② Class I, Group D; Class II, Groups F & G - Code T4; ③ Class I, Group D; Class II, Groups F & G - Code T3C. See page 9 for additional information.

## Dimensions

### Horizontal Base Mount Explosion-Proof Motors



### Rolled Steel Construction

NEMA Frame	A	B	D	E	2F	H	N	O	P	U	V	AA	AB	AC	BA
48	5.75	4.00	3.00	2.12	2.75	0.34	1.62	6.10	5.75	0.50	1.50	0.50	6.54	5.00	2.50
(400Type)		(4.25)					(2.00)	(6.60)	(5.78)			(6.50)	(4.96)		
56	6.56	4.50	3.50	2.44	3.00	0.34	2.40	7.09	6.69	0.62	1.88	0.50	6.92	5.38	2.75
143T					4.00										
145T	6.50	5.94	3.50	2.75	5.00	0.34	2.46	7.09	6.69	0.87	2.25	0.75	6.92	5.38	2.25
(500Type)					(4.50)		(2.46)	(8.09)	(6.69)			(0.50)	(6.92)	(5.38)	
182-4	8.63	6.50	4.50	3.75	5.50	0.41	2.56	8.44	7.88	0.87	2.25	0.75	7.52	5.98	2.75
182T					4.50										
184T	8.63	6.50	4.50	3.75	5.50	0.41	3.06	8.44	7.88	1.12	2.75	0.75	7.52	5.98	2.75
213					5.50				9.69(L)						
215	9.50	8.00	5.25	4.25	7.00	0.41	3.44	10.56	9.56(M)	1.12	3.00	0.75	8.37	6.83	3.50
213T					5.50										
215T	9.50	8.00	5.25	4.25	7.00	0.41	3.82	10.03	9.56	1.375	3.38	0.75	8.37	6.83	3.50

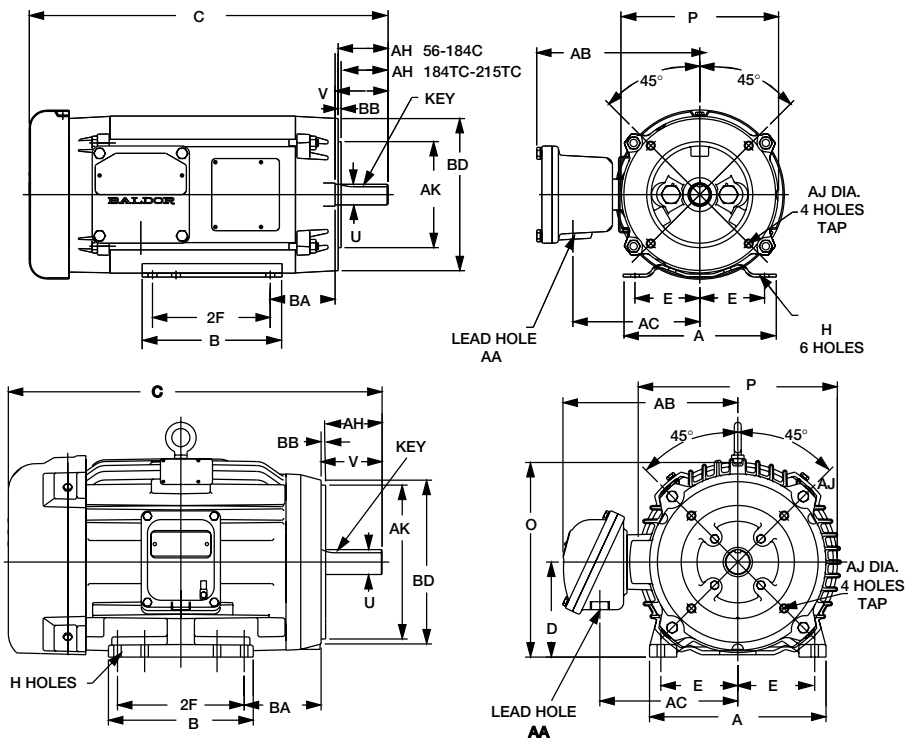
### Cast Iron Construction

NEMA Frame	A	B	D	E	2F	H	N	O	P	U	V	AA	AB	AC	BA
182T					4.50										
184T	8.62	8.00	4.50	3.75	5.50	0.41	3.25	11.27	10.08	1.12	2.75	0.75	8.56	6.53	2.75
213T					5.50										
215T	9.75	8.00	5.25	4.25	7.00	0.41	3.47	10.75	11.00	1.37	3.38	0.75	9.66	7.62	3.50
254T					8.25										
256T	11.50	11.50	6.25	5.00	10.00	0.53	4.20	12.94	13.44	1.62	4.00	1.25	12.37	9.24	4.25
284TS					9.50										
286TS	12.76	12.75	7.00	5.50	11.00	0.53	3.50	14.75	15.54	1.62	3.25	1.25	16.51	11.57	4.75
284T					9.50										
286T	12.76	12.75	7.00	5.50	11.00	0.53	4.88	14.75	15.54	1.87	4.63	1.50	16.51	11.57	4.75
324TS					10.50										
326TS	14.50	14.00	8.00	6.25	12.00	0.66	3.94	16.68	17.40	1.87	3.75	2.00	17.40	12.48	5.25
324T					10.50										
326T	14.50	14.00	8.00	6.25	12.00	0.66	5.44	16.68	17.40	2.12	5.25	2.00	17.40	12.48	5.25
364T		13.50			11.25								17.44		
365T	17.00	14.50	9.00	7.00	12.25	0.66	6.13	18.50	18.88	2.37	5.88	2.50	17.35	12.75	5.88
404T		15.25			12.75										
405T	19.50	16.75	10.00	8.00	13.75	0.81	7.56	21.00	20.88	2.87	7.25	2.50	18.44	13.75	6.62
444T					14.50										
445T	21.75	20.25	11.00	9.00	16.50	0.81	8.75	22.94	24.81	3.37	8.50	3.00	23.63	18.31	7.50
447T					20.00										
449T	21.75	28.75	11.00	9.00	25.00	0.81	8.50	22.94	24.81	3.37	8.50	3.00	27.67	18.62	7.50



## Dimensions

### C-Face Explosion-Proof Motors



### Rolled Steel Construction

NEMA Frame	A	B	D	E	2F	H	O	P	U	V	AA	AB	AC	AH	AJ	AK	BA	BB	BD	Tap	
400(Type)	(6.56)	(4.25)					(6.60)	(5.78)													
56C	6.50	4.50	3.50	2.44	3.00	0.34	7.09	6.69	0.62	1.88	0.50	6.92	5.38	2.06	5.88	4.50	2.75	0.12	6.46	3/8-16	
143TC					4.00																
145TC	6.50	5.94	3.50	2.75	5.00	0.34	7.09	6.69	0.87	2.25	0.75	6.92	5.38	2.12	5.88	4.50	2.75	0.13	6.46	3/8-16	
182C					4.50																
184C	8.63	6.50	4.50	3.75	5.50	0.41	8.44	8.00	0.87	2.25	0.75	7.52	5.98	2.12	5.88	4.50	2.75	0.13	6.38	3/8-16	
182TC					4.50																
184TC	8.63	6.50	4.50	3.75	5.50	0.41	9.00	8.03	1.12	2.75	0.75	7.52	5.98	2.62	7.25	8.50	2.75	0.25	8.98	1/2-13	
213C					5.50																
215C	9.50	8.00	5.25	4.25	7.00	0.41	10.10	9.69	1.12	3.00	0.75	8.37	6.83	2.75	7.25	8.50	3.50	0.25	9.00	1/2-13	
213TC					5.50																
215TC	9.50	8.00	5.25	4.25	7.00	0.41	10.03	9.69	1.37	3.37	0.75	8.37	6.83	3.12	7.25	8.50	4.25	0.25	9.04	1/2-13	

### Cast Iron Construction

NEMA Frame	A	B	D	E	2F	H	O	P	U	V	AA	AB	AC	AH	AJ	AK	BA	BB	BD	Tap	
213TC					5.50																
215TC	9.75	8.00	5.25	4.25	7.00	0.41	10.75	11.00	1.37	3.38	0.75	9.66	7.62	3.12	7.25	8.50	4.25	0.25	9.05	1/2-13	
254TC					8.25																
256TC	11.50	11.50	6.25	5.00	10.00	0.53	12.94	13.44	1.62	4.00	1.25	11.19	8.57	3.75	7.25	8.50	4.75	0.25	9.13	1/2-13	
284TCS					9.50																
286TCS	12.76	12.75	7.00	5.50	11.00	0.53	14.75	15.54	1.62	3.25	1.25	14.37	10.69	3.00	9.00	10.50	4.75	0.25	11.15	1/2-13	
284TC					9.50																
286TC	12.76	12.75	7.00	5.50	11.00	0.53	14.75	15.54	1.87	4.62	1.25	14.37	10.69	4.37	9.00	10.50	4.75	0.25	11.15	1/2-13	
324TC					10.50																
326TC	14.50	14.00	8.00	6.25	12.00	0.65	16.68	17.46	2.12	5.25	1.50	15.25	11.60	5.00	11.00	12.50	5.25	0.25	13.38	5/8-11	

Note: Drawings shown are for reference only. Please contact Baldor for a detailed dimensional drawing of the specific motor you require. Drawings may also be available from our CD-Rom or website at [www.baldor.com](http://www.baldor.com)

## Explosion-Proof Jet Pump Motors

In applications where a threaded shaft jet pump motor is used in hazardous locations, Baldor offers explosion-proof motors available from stock in single and three phase, 1/2 hp through 2 hp, in NEMA frame 56J. They are UL and CSA approved for Class I – Group D and Class II – Group F and G.



### Performance Data, Single Phase

Hp	kW	RPM	Frame	Catalog No.	Amps @ High V		Full Load Torque Lb. Ft.	Efficiency %			Power Factor %			Bearings		Volt Code	"C" Dim.	Conn. Diag. No.
					Full Load	Locked Rotor		1/2	3/4	Full Load	1/2	3/4	Full Load	DE	ODE			
0.50	0.37	3450	56J	JL5003A⑦	3.9	23.0	0.75	41.2	49.7	55.0	51	59	69	6205	6203	B	14.79	CD0008
0.75	0.56	3450	56J	JL5006A⑦	4.9	28.3	1.2	50.0	58.0	62.0	60	70	75	6205	6203	B	14.79	CD0008
1	0.75	3450	56J	JL5009A⑦	6.0	35.0	1.5	65.0	67.0	66.0	64	75	81	6205	6203	B	15.68	CD0008
1.5	1.1	3450	56J	JL5030⑧	7.5	42.0	2.3	65.3	68.4	70.0	64	73	82	6205	6203	A	15.68	CD0001
2	1.5	3450	56J	JL5031⑧	11.5	78.0	3.0	64.2	70.5	74.0	65	75	82	6205	6203	A	16.56	CD0001

### Performance Data, Three Phase

Hp	kW	RPM	Frame	Catalog No.	Amps @ High V		Full Load Torque Lb. Ft.	Efficiency %			Power Factor %			Bearings		Volt Code	"C" Dim.	Conn. Diag. No.
					Full Load	Locked Rotor		1/2	3/4	Full Load	1/2	3/4	Full Load	DE	ODE			
1	0.75	3450	56J	JM7013⑧	1.8	11.0	1.5	72.1	76.8	75.5	53	68	71	6203	6203	E1	13.72	CD0005
1.5	1.1	3450	56J	JM7018⑧	2.3	16.0	2.3	66.7	72.7	75.5	59	71	76	6205	6203	E	14.79	CD0005
2	1.5	3450	56J	JM7071⑧	2.7	17.5	3.0	78.2	80.3	78.5	80	87	93	6205	6203	E	15.67	CD0005

## Explosion-Proof Close-Coupled Pump Motors

Where close-coupled pump shaft configurations are required in hazardous locations, Baldor offers explosion-proof motors available from stock in three phase, 3 hp through 10 hp, in NEMA frames 145JM through 215JM. They are UL and CSA approved for Class I – Group D and Class II – Group F and G, and are rated at a 1.0 Service Factor.



### Performance Data, Three Phase

Hp	kW	RPM	Frame	Catalog No.	Amps @ High V		Full Load Torque Lb. Ft.	Efficiency %			Power Factor %			Bearings		Volt Code	"C" Dim.	Conn. Diag. No.
					Full Load	Locked Rotor		1/2	3/4	Full Load	1/2	3/4	Full Load	DE	ODE			
3	2.2	3450	145JM	JMM7075T①	3.8	32.9	4.6	83.0	84.3	82.5	74	83	89.0	6206	6203	E	17.80	CD0005
3	2.2	3450	182JM	JMM7026T①	3.9	35.0	4.5	78.1	81.5	81.5	77	85	89.0	6207	6205	E	19.00	CD0005
5	3.7	3450	184JM	JMM7072T①	6.0	47.0	7.5	85.8	86.5	85.5	88	93	93.0	6207	6205	E1	20.38	CD0005
7.5	5.6	3450	184JM	JMM7073T	8.6	76.0	11.3	87.8	88.1	87.5	84	90	94.0	6207	6205	E1	21.88	CD0005
7.5	5.6	3450	213JM	JMM7045T①	9.3	88.7	11.4	82.6	85.4	84.0	84	89	88.0	6307	6206	F	20.05	CD0005
10	7.5	3450	215JM	JMM7074T①	12.0	100	15.0	83.4	85.9	86.5	85	91	91.0	6307	6206	F	21.19	CD0005

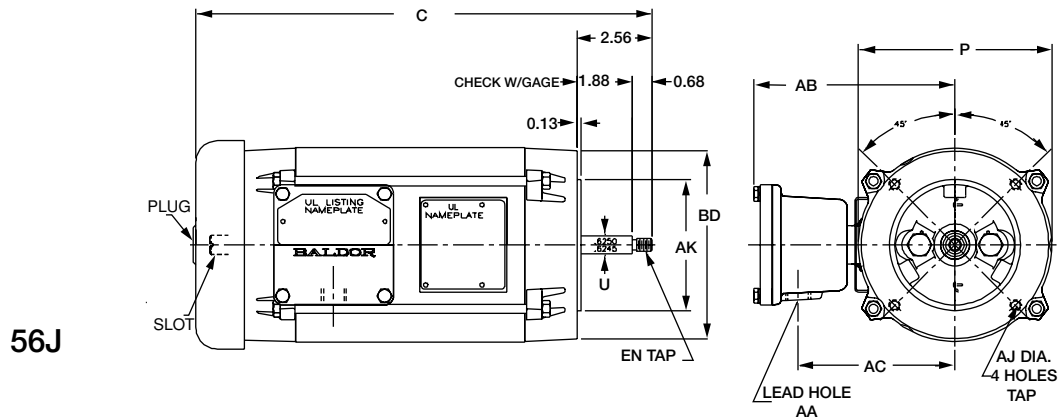
Volt Code: A=115/208-230, B=115/230, E=208-230/460, E1=230/460 - usable @ 208v, F= 230/460 volts.  
Circled number next to Catalog number indicates the motor's temperature rating, approval class and group. See page 9.

**Note:** Drawings shown are for reference only.  
Please contact Baldor for a detailed dimensional drawing of the specific motor you require.  
Drawings may also be available from our CD-Rom or website at [www.baldor.com](http://www.baldor.com)  
See page 19 for Layout drawing. See pages 29-31 for Connection Diagrams.

① Class I, Group D - Code T2C;  
⑦ Class I, Group D; Class II, Groups F & G - Code T4;  
⑧ Class I, Group D; Class II, Groups F & G - Code T3C  
See page 9 for additional information.

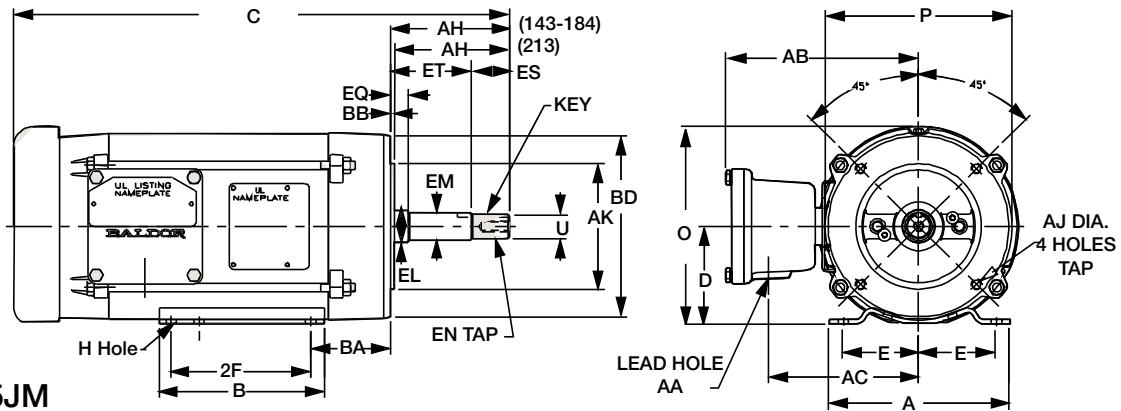
## Dimensions

### Jet Pump Explosion-Proof Motors



56J

### Close-Coupled Pump Explosion-Proof Motors



143JM-215JM

NEMA Frame	A	B	D	E	2F	H	O	P	U	AA	AB	AC	AJ	AK	BA	BB	BD	Tap	
(400Type)								(5.61)			(6.53)	(5.00)					(5.91)		
56J	-	-	-	-	-	-	-	6.68	0.62	0.50	6.90	5.38	5.88	4.50	-	0.12	6.50	3/8-16	
143JM					4.00														
145JM	6.50	5.94	3.50	2.75	5.00	0.34	7.81	6.69	0.87	0.75	6.92	5.38	5.88	4.50	2.88	0.13	6.49	3/8-16	
182JM					4.50														
184JM	8.63	6.50	4.50	3.75	5.50	0.41	8.99	7.88	0.87	0.75	7.52	5.98	5.88	4.50	3.50	0.12	6.28	3/8-16	
213JM					5.50														
215JM	9.50	8.00	5.25	4.25	7.00	0.41	10.99	9.69	0.87	0.75	8.37	6.83	7.25	8.50	4.25	0.25	9.04	1/2-13	

NEMA Frame	AH	EL	EM	EN	EQ	ES	ET
143JM							
145JM	4.28	1.16	1.00	0.88	0.64	1.39	2.89
182JM							
184JM	4.28	1.25	1.00	0.88	0.64	1.39	2.89
213JM							
215JM	4.25	1.25	1.00	0.88	0.62	1.37	2.88

**Note:** Drawings shown are for reference only. Please contact Baldor for a detailed dimensional drawing of the specific motor you require. Drawings may also be available from our CD-Rom or website at [www.baldor.com](http://www.baldor.com)

## Explosion-Proof Brake Motors

In applications requiring quick stops and holds in hazardous locations, Baldor offers explosion-proof brake motors from stock in 3/4 hp through 3 hp, NEMA frames 56C through 215TC. These 3-phase motors are C-face mounted, and feature a spring-set brake. In the event of a power outage, a manual release allows continued operation, and then resets automatically when power is restored. Explosion-proof brakes require external connections.

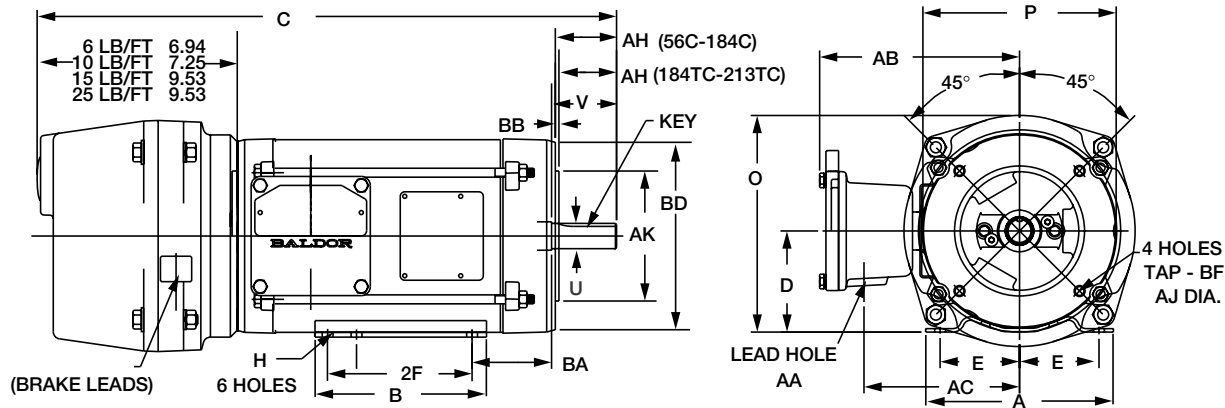


All brake motors with brakes that have 20 lb-ft. static torque ratings or smaller can be mounted horizontally or vertically. For larger ratings consult a Baldor District Office.

### Performance Data, Three Phase

Hp	kW	RPM	Frame	Catalog No.	Amps @ High V		Full Load Torque Lb. Ft.	Efficiency %			Power Factor %			Bearings		Volt Code	"C" Dim.	Conn. Diag. No.	Brake Rating (lb-ft)
					Full Load	Locked Rotor		1/2	3/4	Full Load	1/2	3/4	Full Load	DE	ODE				
0.75	0.56	1725	56C	CBM70101	1.1	8.5	2.3	77.9	79.9	80.0	55	71	81	6205	6203	E	19.13	CD0005	6
1	0.75	1725	143TC	CBM7014T1	1.5	13.5	3.0	76.9	80.9	80.0	56	69	81	6205	6203	E	20.37	CD0005	6
2	1.5	1725	182TC	CBM7023T1	2.9	26.0	6.0	80.8	83.7	84.0	57	69	76	6206	6206	F	23.24	CD0005	10
3	2.2	1725	215TC	CBM7027T1	4.3	33.0	9.0	81.3	84.2	84.0	56	69	77	6307	6206	F	27.29	CD0005	15

Volt Code: E=208-230/460, F=230/460 volts.  
 Circled number next to Catalog number indicates the motor's temperature rating, approval class and group. See page 9.  
 See pages 29-31 for Connection Diagrams.



NEMA Frame	A	B	D	E	2F	H	O	P	U	V	AA	AB	AC	AH	AJ	AK	BA	BB	BD	Tap
56C	6.50	4.50	3.50	2.44	3.00	0.34	7.50	6.69	0.62	1.87	0.50	6.92	5.38	2.06	5.88	4.50	2.75	0.13	6.49	3/8-16
143TC					4.00															
145TC	6.50	5.94	3.50	2.75	5.00	0.34	7.50	6.69	0.87	2.25	0.75	6.92	5.38	2.12	5.88	4.50	2.75	0.13	6.49	3/8-16
182TC					4.50															
184TC	8.63	6.50	4.50	3.75	5.50	0.41	8.99	8.03	1.12	2.75	0.75	7.52	5.98	2.62	7.25	8.50	3.50	0.25	8.98	1/2-13
213TC					5.50															
215TC	9.50	8.00	5.25	4.25	7.00	0.41	10.03	9.69	1.37	3.37	0.75	8.37	6.83	3.12	7.25	8.50	4.25	0.25	9.00	1/2-13

**Note:** Drawings shown are for reference only.  
 Please contact Baldor for a detailed dimensional drawing of the specific motor you require.  
 Drawings may also be available from our CD-Rom or website at [www.baldor.com](http://www.baldor.com)  
 © Class I, Group D - Code T2C.  
 See page 9 for additional information.

## Adjustable Speed AC Three Phase, Inverter Drive® Explosion-Proof Motors

These TEFC motors are designed for use with inverters in hazardous locations. Ratings are available for a 10:1 constant or variable torque speed rating. They may be used with a Baldor inverter or one manufactured by another company. The 1/2 hp through 2 hp motors meet Class I – Group D and Class II – Group F and G, with Temperature rating T3C (160 degrees).

The 3 hp through 75 hp motors meet Class I – Group D only, with Temperature Code T2A (280 degrees). NEMA frames 56C through 405T. ISR® Inverter Spike Resistant wire is standard. All motors are rated at a 1.0 Service Factor, and have Class F insulation to meet NEMA MG 1-2003, Part 31. All ratings constant horsepower 60 to 90 Hz.



### Mechanical Design Characteristics

Specification	Description	Frames			
		56C	143TC-215TC	254TC-365TC	405T
Bearing Retention	Locked bearings for universal mounting	•	•	•	•
Bearings	Premium grade, double shielded	•	•		
	Premium grade, open with Lube Lock®			•	•
Conduit Box & Lid	U. L. approved cast iron explosion-proof	•	•	•	•
Drive End	C-Face for mounting flexibility on NEMA TC frames	•	•		•
Endplates	Aluminum with steel bearing journal	•	thru145TC		
	Cast iron - rugged and durable		from 182TC	•	•
Explosion-Proof	Class I, Group D, Class II, Group F & G. Temp. Rating 160°C	•	thru 145TC		
Classifications	Class I, Group D only. Temperature Rating 280°C		from 182TC	•	•
Frame	Steel band	•	thru 145TC		
	Cast iron		from 182TC	•	•
Foot Mounting	Rigid base, dual hole foot pattern for mounting flexibility	•	•	•	•
Ground Screw	Inside terminal box for convenience	•	•	•	•
Lifting Provisions	Eyebolt		•	•	•
Lubricant	Exxon POLYREX®EM or equivalent	•	•	•	•
Nameplate	UL/CSA listed nameplate. Includes base volts and frequency, connection diagram	•	•	•	•
Rotor Construction	Special high pressure aluminum die cast with low loss electrical steel and special slot configuration	•	•	•	•
Shaft Material	C1035 steel	•	•		
	C1137 steel			•	•

### Electrical Design Characteristics

Specification	Description	Frames			
		56C	143TC-215TC	254TC-365TC	405T
Insulation	Class F Meets NEMA MG 1-2003, Part 31	•	•	•	•
ISR®	200°C moisture resistant,				
Magnet Wire	Inverter Spike Resistant® Wire	•	•	•	•
Service Factor	1.00	•	•	•	•
Voltage	230 / 460V @ 60 Hertz	•	•	•	•

## AC Inverter Drive® Explosion-Proof Fan-Cooled Motors

UL and CSA approved for use in hazardous locations. 1/2 through 2 hp Class I, Group D, Class II, Group F & G. Temperature rating T3C (160°C). 3 hp and larger Class I, Group D only. Temperature Code T2B (260°C). 1.0 service factor. Class F insulation. All ratings constant horsepower 60 to 90 Hz.

### Performance Data 230/460 Volt Ratings

#### 10:1 Variable Torque and 2:1 Constant Torque Ratings

60 Hz		Base Spd	Max. RPM	Max. Frame	NEMA Encl.	Catalog No.	460 Volt Line Amps		Output Torque Lb-Ft.			% Effic. Line	Wk <sup>2</sup> Lb-Ft <sup>2</sup>	Ap'x Wgt. Lbs.	Bearings		"C" Dim.	Conn. Diag. No.
Hp	kW						Idle	F.L.	F.L.	L.R.	B.D.				DE	ODE		
3	2.2	1760	2700	182TC	TEFC	IDXM7142TⓄ	2.2	4.0	9.0	22.0	31.0	89.5	0.26	147	6206	6205	18.24	CD0005
5	3.7	1760	2700	184TC	TEFC	IDXM7144TⓄ	3.4	6.5	15.0	32.0	50.0	89.5	0.4	161	6206	6205	18.24	CD0005
7.5	5.6	1760	2700	213TC	TEFC	IDXM7147TⓄ	4.9	9.7	22.4	42.9	69.9	90.2	0.85	228	6307	6206	20.69	CD0005
10	7.5	1760	2700	215TC	TEFC	IDXM7170TⓄ	5.5	12.5	30.0	56.0	121	91.7	1.14	196	6307	6206	20.69	CD0005
15	11.2	1765	2700	254TC	TEFC	IDXM7054TⓄ	6.95	18.0	45.0	88.0	143	92.4	1.84	356	6309	6208	26.00	CD0005
20	14.9	1765	2700	256TC	TEFC	IDXM7056TⓄ	8.5	24.0	60.0	120	183	93.0	2.27	393	6309	6208	26.00	CD0180
25	18.7	1780	2700	284T	TEFC	IDXM7058TⓄ	11.9	30.5	74.0	137	226	93.6	3.98	494	6311	6309	28.61	CD0005
30	22.4	1780	2700	286T	TEFC	IDXM7060TⓄ	14.5	36.0	90.0	143	256	94.1	4.46	555	6311	6309	28.61	CD0005
40	30.0	1780	2700	324T	TEFC	IDXM7062TⓄ	16.01	47.0	118	207	385	94.1	7.5	782	6312	6311	32.12	CD0180
50	37.0	1780	2700	326T	TEFC	IDXM7064TⓄ	19.13	57.0	148	290	451	94.5	9.64	772	6312	6311	32.12	CD0180
60	45.0	1780	2700	364T	TEFC	IDXM7066TⓄ	23.5	69.0	177	278	556	95.0	11.7	1006	6313	6312	33.25	CD0180
75	56.0	1780	2700	405T	TEFC	IDXM7068TⓄ	23.6	85.0	225	388	515	94.1	22.4	1369	6316	6313	38.75	CD0005

#### 10:1 Variable Torque and Constant Torque Ratings

60 Hz		Base Spd	Max. RPM	Max. Frame	NEMA Encl.	Catalog No.	460 Volt Line Amps		Output Torque Lb-Ft.			% Effic. Line	Wk <sup>2</sup> Lb-Ft <sup>2</sup>	Ap'x Wgt. Lbs.	Bearings		"C" Dim.	Conn. Diag. No.
Hp	kW						Idle	F.L.	F.L.	L.R.	B.D.				DE	ODE		
0.50	0.37	1750	2700	56C	TEFC	IDXM7006Ⓞ	0.5	0.8	1.5	5.6	6.7	82.5	0.09	42	6205	6203	14.30	CD0005
0.75	0.56	1750	2700	56C	TEFC	IDXM7010Ⓞ	0.61	1.1	2.25	8.4	8.8	82.5	0.12	46	6205	6203	14.30	CD0005
1	0.75	1750	2700	143TC	TEFC	IDXM7014TⓄ	0.81	1.4	3.0	10.0	14.5	85.5	0.142	50	6205	6203	15.23	CD0005
1.5	1.1	1750	2700	145TC	TEFC	IDXM7034TⓄ	1.13	2.1	4.5	19.0	23	88.5	0.166	53	6205	6203	15.23	CD0005
2	1.5	1750	2700	145TC	TEFC	IDXM7037TⓄ	1.3	2.6	6.0	25.3	27.4	88.5	0.237	70	6205	6203	17.48	CD0005
3	2.2	1760	2700	182TC	TEFC	IDXM7542TⓄ	2.2	4.0	9.0	22.0	31.0	89.5	0.26	144	6206	6205	18.24	CD0005
5	3.7	1760	2700	213TC	TEFC	IDXM7544TⓄ	2.6	6.3	15.0	29.4	41.2	90.2	0.608	212	6307	6206	20.65	CD0005
7.5	5.6	1760	2700	215TC	TEFC	IDXM7547TⓄ	4.9	9.7	22.4	42.9	69.9	90.2	0.84	225	6307	6206	20.65	CD0005
10	7.5	1760	2700	254TC	TEFC	IDXM7570TⓄ	5.4	12.8	29.7	75.0	110	92.4	2.09	378	6309	6208	26.00	CD0005
15	11.2	1765	2700	256TC	TEFC	IDXM7554TⓄ	7.0	17.0	45.0	93.0	151	92.4	2.1	381	6309	6208	26.00	CD0005
20	14.9	1765	2700	284T	TEFC	IDXM7556TⓄ	8.6	24.5	59.0	96.0	167	90.2	3.5	516	6311	6309	28.61	CD0005
25	18.7	1780	2700	324T	TEFC	IDXM7558TⓄ	10.6	30.0	74.0	114	226	91.7	6.16	705	6312	6311	32.12	CD0180
30	22.4	1780	2700	326T	TEFC	IDXM7560TⓄ	13.3	35.0	89.0	147	276	94.5	7.5	731	6312	6311	32.12	CD0180
40	30.0	1780	2700	364T	TEFC	IDXM7562TⓄ	12.2	48.0	118	218	297	92.4	11.7	913	6313	6312	33.25	CD0005
50	37.0	1780	2700	365T	TEFC	IDXM7564TⓄ	12.2	57.0	147	266	343	92.4	11.7	971	6313	6312	33.25	CD0180
60	45.0	1780	2700	405T	TEFC	IDXM7566TⓄ	17.8	69.0	177	332	425	93.6	22.4	1341	6313	6312	38.75	CD0005

Circled number next to Catalog number indicates the motor's temperature rating, approval class and group. See page 9.

See pages 24-25 for Layout drawing. See pages 29-31 for Connection Diagrams.

Ⓞ Class I, Group D - Code T2A; Ⓢ Class I, Group D; Class II, Groups F & G - Code T3C See page 9 for additional information.

## Explosion-Proof Inverter Drive® Motor Capabilities

Hp	2:1 CTSR 10:1 VTSR Frame	10:1 CTSR 10:1 VTSR Frame	Base Speed	Maximum Speed	Hp	2:1 CTSR 10:1 VTSR Frame	10:1 CTSR 10:1 VTSR Frame	Base Speed	Maximum Speed
0.5		56	3600	3600	30	286T	326T	3600	3600
	56	56	1800	2700		286T	326T	1800	2700
		56	1200	1800		326T	364T	1200	1800
0.75		56	3600	3600	40	324T	364T	3600	3600
	56	56	1800	2700		324T	364T	1800	2700
		143T	1200	1800		364T	404T	1200	1800
1		56	3600	3600	50	326T	365T	3600	3600
	143T	143T	1800	2700		326T	365T	1800	2700
		145T	1200	1800		404T	405T	1200	1800
1.5		143T	3600	3600	60	365T	405T	3600	3600
	145T	145T	1800	2700		364T	405T	1800	2700
		182T	1200	1800		404T	444T	1200	1800
2		145T	3600	3600	75	365T	444T	3600	3600
	145T	145T	1800	2700		405T	444T	1800	2700
		213T	1200	1800		444T	445T	1200	1800
3		182T	3600	3600	100	444T	445T	3600	3600
	182T	182T	1800	2700		444T	445T	1800	2700
		213T	1200	1800		445T	447T	1200	1800
5		184T	3600	3600	125	445T	447T	3600	3600
	184T	213T	1800	2700		445T	449T	1800	2700
		215T	1200	1800		447T	449T	1200	1800
7.5		213T	3600	3600	150	447T	449T	3600	3600
	213T	215T	1800	2700		447T	449T	1800	2700
		254T	1200	1800		449T	449T	1200	1800
10		215T	3600	3600	200	449T	449T	3600	3600
	215T	254T	1800	2700		449T	449T	1800	2700
		256T	1200	1800		449T	449T	1200	1800
15		254T	3600	3600	250	449T	449T	3600	3600
	254T	256T	1800	2700		449T	449T	1800	2700
		284T	1200	1800		449T	N/A	1200	1800
20		256T	3600	3600	300	449T	N/A	3600	3600
	256T	284T	1800	2700		449T	N/A	1800	2700
		286T	1200	1800		N/A	N/A	1200	1800
25		284T	3600	3600					
	284T	324T	1800	2700					
		324T	1200	1800					

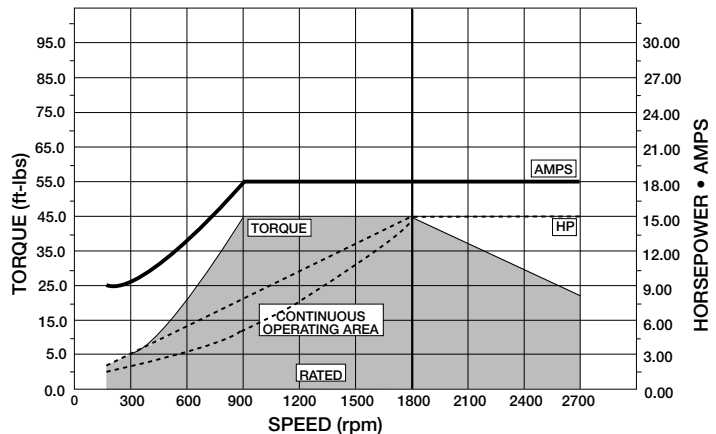
Note: Shaded areas are available from stock.

## Matched Performance™: The Perfect Motor and Control for Your Application

Many motor and drive manufacturers claim that their products are designed to work together, but only Baldor backs up the claim with specific data. Introduced in 1993, Matched Performance provides lab-tested performance curve data on Baldor motors and controls, 1 to 800 hp, including inverters, vectors and servos. Showing peak torque, continuous torque, maximum speed and current, each Matched Performance curve illustrates the continuous and intermittent torque available from the motor at various speeds. This lets you know the motor's safe operating envelope below and above its base speed.

\* NOTE: Baldor Inverters are supplied with NEMA 1 enclosures which are not approved for hazardous locations and should be remotely mounted. If the inverter drive needs to be mounted near the motor, contact your local Baldor district office.

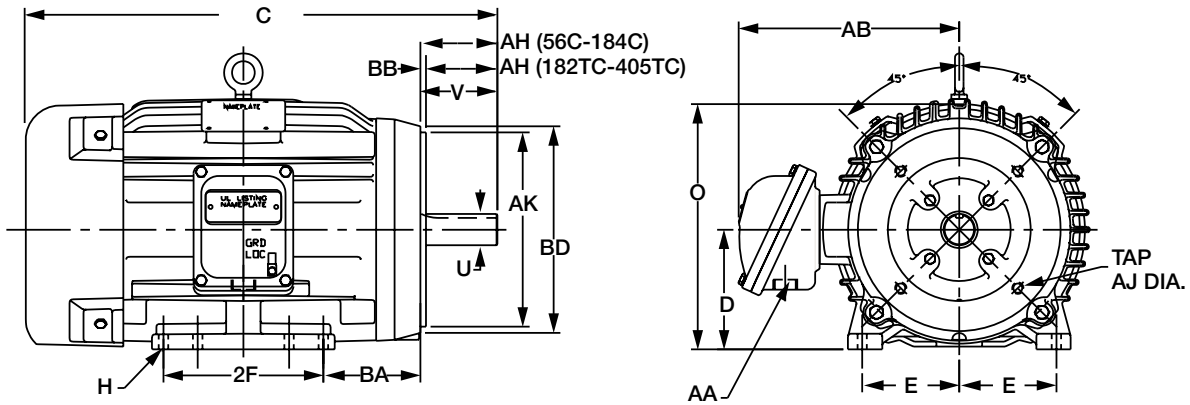
### Matched Performance Curve for 15 Hp Inverter Drive® Explosion-Proof Motor and Control\*



Motor: IDXM7054T - 15 Hp  
Control: ID15H415-E - 15 Hp Series 15H Inverter

## Dimensions

### TEFC Inverter Drive® Explosion-Proof Motors



### Rolled Steel Construction

NEMA Frame	D	E	2F	H	O	U	V	AA	AB	AH	AJ	AK	BA	BB	BD	Tap
56C	3.50	2.44	3.00	0.34	7.09	0.625	1.88	0.50 NPT	6.92	2.06	5.88	4.50	2.75	0.13	6.46	3/8-16
143TC			4.00					0.75								
145TC	3.50	2.75	5.00	0.34	7.09	0.875	2.25	NPT	6.92	2.12	5.88	4.50	2.75	0.13	6.46	3/8-16

### Cast Iron Construction

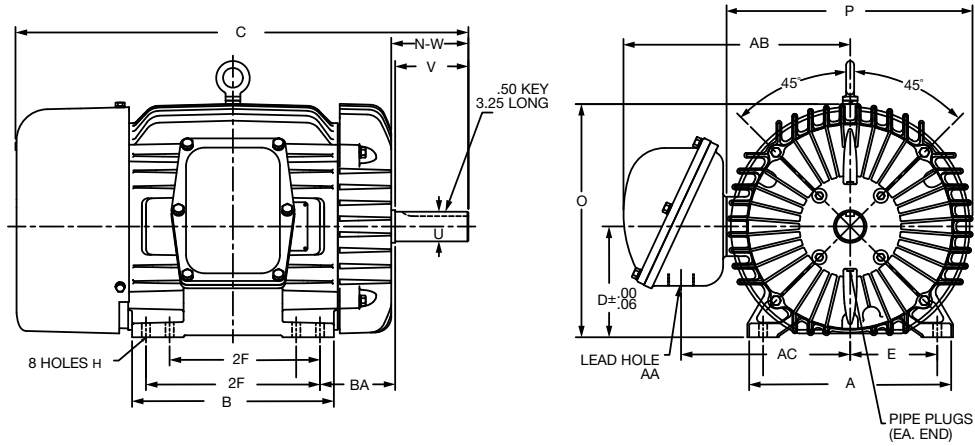
NEMA Frame	D	E	2F	H	O	U	V	AA	AB	AH	AJ	AK	BA	BB	BD	Tap
182TC 184TC	4.50	3.75	5.50	0.41	9.56	1.125	2.75	0.75	8.55	2.62	7.25	8.50	3.50	0.13	8.96	1/2-13
213TC 215TC	5.25	4.25	7.00	0.41	10.75	1.375	3.37	0.75	9.66	3.12	7.25	8.50	4.25	0.25	9.05	1/2-13
254TC 256TC	6.25	5.00	10.00	0.53	12.94	1.625	4.00	1.25	11.25	3.75	7.25	8.50	4.75	0.25	9.13	1/2-13

**Note:** Drawings shown are for reference only.  
Please contact Baldor for a detailed dimensional drawing of the specific motor you require.  
Drawings may also be available from our CD-Rom or website at [www.baldor.com](http://www.baldor.com)



## Dimensions

### TEFC Inverter Drive® Explosion-Proof Motors



### Cast Iron Construction (Non-C-Face)

NEMA Frame	A	B	D	E	2F	H	Key	N	O	P	U	V	AA	AB	AC	BA
254T 256T	11.50	11.50	6.25	5.00	8.25 10.00	0.53	0.38	4.20	12.94	13.38	1.625	4.00	1.25 NPT	11.25	8.57	4.25
284T 286T	12.76	12.75	7.00	5.50	9.50 11.00	0.53	0.50	4.88	14.74	15.54	1.875	4.63	1.25 NPT	14.32	10.69	4.88
324T 326T	14.50	14.00	8.00	6.25	10.50 12.00	0.65	0.50	5.44	16.68	17.40	2.125	5.25	1.50 NPT	15.23	11.60	5.44
364T 365T	16.50	14.50	9.00	7.00	11.25 12.25	0.65	0.62	6.13	18.44	19.13	2.375	5.88	3.00 NPT	17.60	13.00	6.13
405T	18.88	16.63	10.00	8.00	12.25 13.75	0.81	0.75	7.56	20.88	21.25	2.875	7.25	2.50 NPT	18.73	14.13	6.62

**Note:** Drawings shown are for reference only.  
Please contact Baldor for a detailed dimensional drawing of the specific motor you require.  
Drawings may also be available from our CD-Rom or website at [www.baldor.com](http://www.baldor.com)

## Explosion-Proof SCR Drive Permanent Magnet and Shunt Wound DC Motors

When it comes to explosion-proof SCR Drive DC motors, Baldor offers two choices. Permanent Magnet motors are available from stock in 1/4 hp through 1-1/2 hp, in NEMA frames 56C and 145TC. Shunt Wound motors are available from stock in 1/2 hp through 3 hp, in NEMA frames 182CZ to 215CY. Both types are UL and CSA approved for Class I – Group D and Class II – Groups F and G, with a 1.0 Service Factor. Most models include a thermostat on the field winding.



### SCR Drive Permanent Magnet DC Motors

Hp	kW	Base Speed	NEMA Frame	Voltage Direct Current		Full Load Amperage		Catalog No.	Type No.	Ap'x. Shpg. Wgt.	Conn. Diag. No.
				Arm.	Fld.	Arm.	Fld.				
0.25	0.19	1750	56C	90	PM	2.7	PM	CDPX3410 ③	X3413P	38	CD0194
0.25	0.19	1750	56C	180	PM	1.3	PM	CDPX3406 ③	X3413P	38	CD0194
0.33	0.25	1750	56C	90	PM	3.6	PM	CDPX3420 ③	X3420P	42	CD0194
0.33	0.25	1750	56C	180	PM	1.7	PM	CDPX3416 ③	X3420P	44	CD0194
0.50	0.37	1750	56C	90	PM	5.2	PM	CDPX3430 ③	X3428P	46	CD0194
0.50	0.37	1750	56C	180	PM	2.5	PM	CDPX3426 ③	X3428P	46	CD0194
0.75	0.56	1750	56C	90	PM	7.0	PM	CDPX3440 ③	X3435P	51	CD0194
0.75	0.56	1750	56C	180	PM	3.5	PM	CDPX3436 ③	X3435P	51	CD0194
1	0.75	1750	56C	90	PM	9.6	PM	CDPX3545 ③	X3536P	72	CD0194
1	0.75	1750	56C	180	PM	4.9	PM	CDPX3555 ③	X3536P	71	CD0194
1.5	1.1	1750	145TC	180	PM	7.1	PM	CDPX3575 ③	X3548P	81	CD0194

See page 27 for Layout drawing. See page 31 for Connection Diagrams.

### SCR Drive Shunt Wound DC Motors

Hp	kW	Base Speed	NEMA Frame	Voltage Direct Current		Full Load Amperage		Catalog No.	Type No.	Ap'x. Shpg. Wgt.	Conn. Diag. No.
				Arm.	Fld.	Arm.	Fld.				
0.50	0.37	1750	182CZ	90	100/50	4.9	0.55	CDX1850 ③	X3623D	103	CD0860
0.75	0.56	1750	182CZ	90	100/50	7.0	0.55	CDX1875 ③	X3623D	100	CD0860
1	0.75	1750	182CZ	180	200/100	5.0	0.25	CDX2001 ③	X3623D	105	CD0860
1	0.75	1750	182C	180	200/100	5.0	0.25	CDX7100 ③	X3623D	103	CD0860
1.5	1.1	1750	184C	180	200/100	7.5	0.25	CDX7150 ③	X3636D	121	CD0860
2	1.5	1750	184C	180	200/100	9.5	0.40	CDX7200 ③	X3646D	135	CD0860
3	2.2	1750	215CY	180	200/100	14.5	0.40	CDX7513 ③	X7544D	259	CD0860

**Note:** Motors are T3B= Class I, Group D, Class II, Group F & G will not exceed surface temperature of 165°C.

Refer to page 9 for temperature ratings and code numbers.

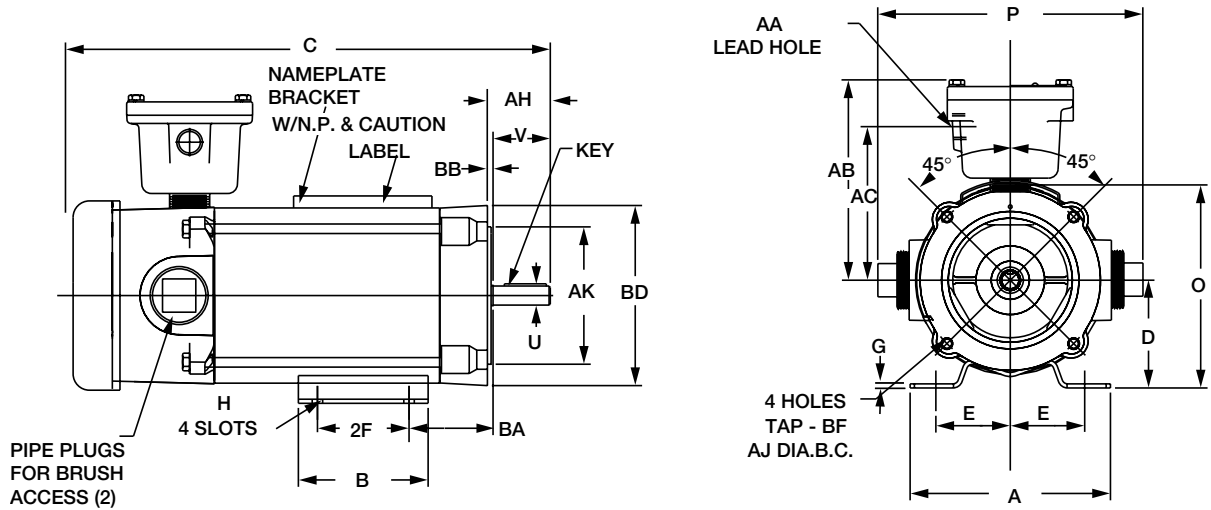
Data subject to change without notice. Contact Baldor for certified data.

See page 28 for Layout drawings. See page 31 for Connection Diagrams.

③ Class I, Group D; Class II, Groups F & G - Code T3B; ④ Class I, Group D; Class II, Groups F & G - Code T3C  
See page 8 for additional information.

## Dimensions

### SCR Drive Permanent Magnet DC Explosion-Proof Motors



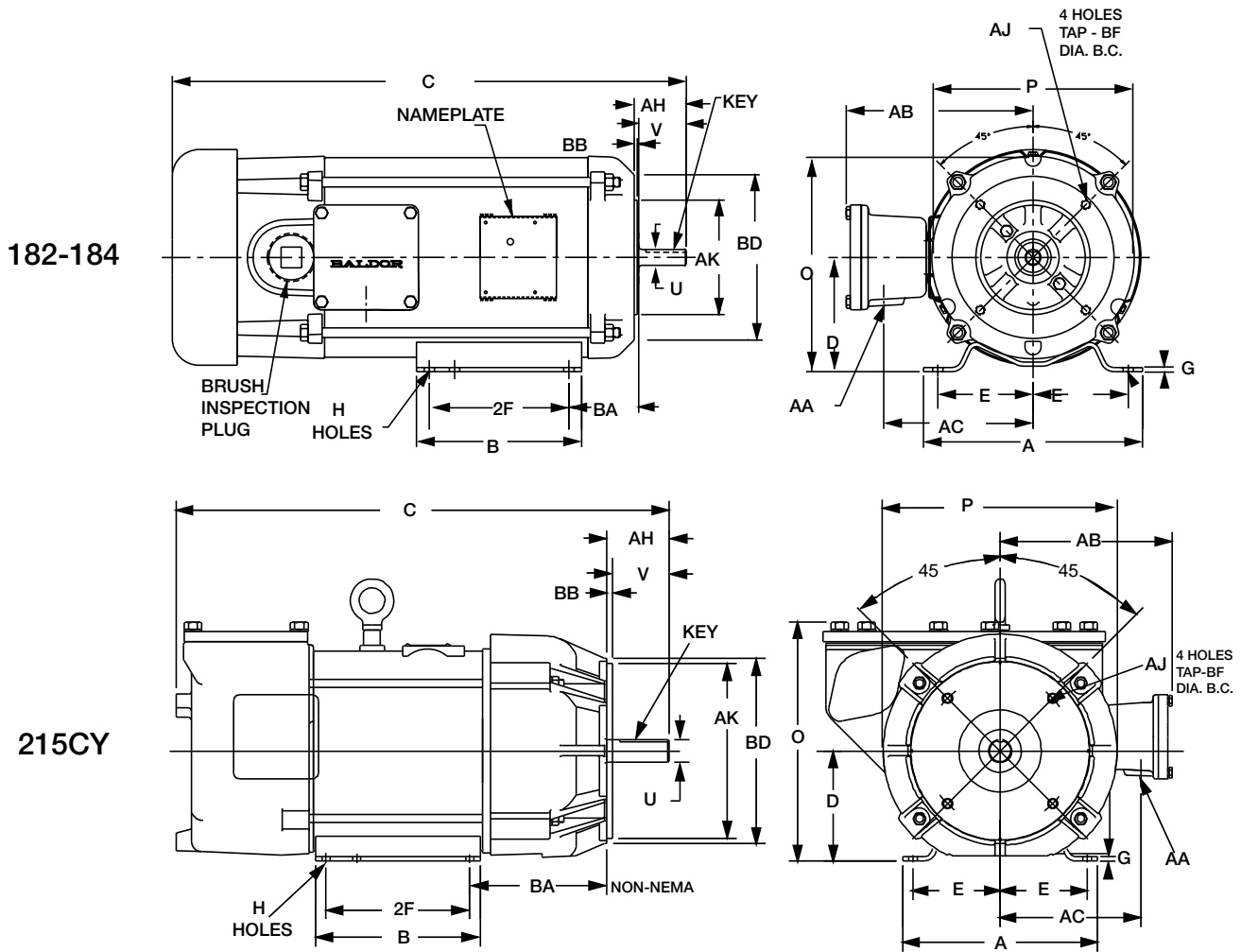
NEMA Frame	Type	C	BA	E	2F	G	H	U	V	Key	AH	A	B	D	O	P
56C	3413P	13.87														
	3420P	14.87	2.75	2.44	3.00	0.25	0.34	0.62	1.87	0.19	2.06	6.56	4.25	3.50	6.34	8.47
	3428P	14.87					Slot (4)									
	3435P	15.87														
56C	3536P	18.36	2.75	2.44	3.00	0.12	0.34	0.62	1.88	0.19	2.06	6.50	4.50	3.50	7.09	9.32
145TC	3548P	19.43	2.75	2.75	5.00	0.25	0.34	0.87	2.25	0.19	2.13	6.50	5.94	3.50	7.09	9.32

NEMA Frame	Type	AA	AB	AC	AJ	AK	BB	BD	BF
56C	3413P								
	3420P	0.50 NPT	6.57	5.03	5.88	4.50	0.12	5.90	3/8-16
	3428P								
56C	3536P								
145TC	3548P	0.75 NPT	6.76	5.25	5.88	4.50	0.12	6.46	3/8-16

**Note:** Drawings shown are for reference only.  
Please contact Baldor for a detailed dimensional drawing of the specific motor you require.  
Drawings may also be available from our CD-Rom or website at [www.baldor.com](http://www.baldor.com)

## Dimensions

### SCR Drive Shunt Wound DC Explosion-Proof Motors



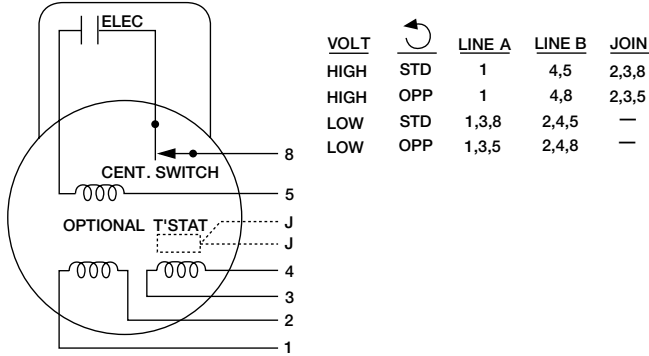
NEMA Frame	Type	C	BA	E	2F	G	H	U	V	Key	AH	A	B	D	O	P
182CZ	3623D	18.61	2.75	3.75	4.50/5.50	0.16	0.41	0.62	1.88	0.19	2.06	8.63	6.50	4.50	8.44	7.86
182C	3623D	18.68														
	3636D	20.30	2.75	3.75	4.50/5.50	0.16	0.41	0.87	2.25	0.19	2.12	8.63	6.50	4.50	8.44	7.86
184C	3646D	21.56														
215CY	7544D	23.99	6.69	4.25	5.50/7.00	0.81	0.41	1.12	2.75	0.25	3.00	9.50	8.00	5.35	11.58	13.75

NEMA Frame	Type	AA	AB	AC	AJ	AK	BB	BD	BF
182CZ	3623D	0.75	7.35	5.88	5.88	4.50	0.12	6.51	3/8-16
182C	3623D								
	3636D	0.75	7.35	5.88	5.88	4.50	0.12	6.51	3/8+16
184C	3646D								
215CY	7544D	0.75	8.62	6.84	7.25	8.50	0.25	9.00	1/2-13

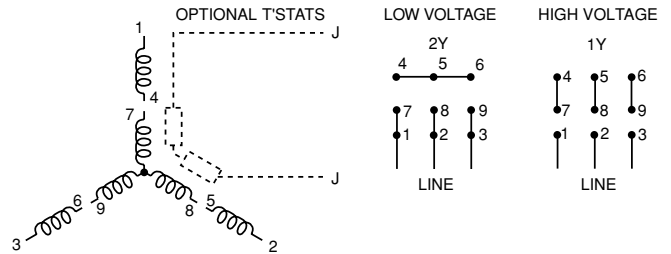
**Note:** Drawings shown are for reference only. Please contact Baldor for a detailed dimensional drawing of the specific motor you require. Drawings may also be available from our CD-Rom or website at [www.baldor.com](http://www.baldor.com)

## Connection Diagrams Main Motor Power Leads

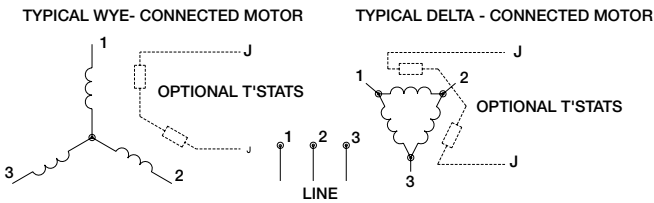
CD0001



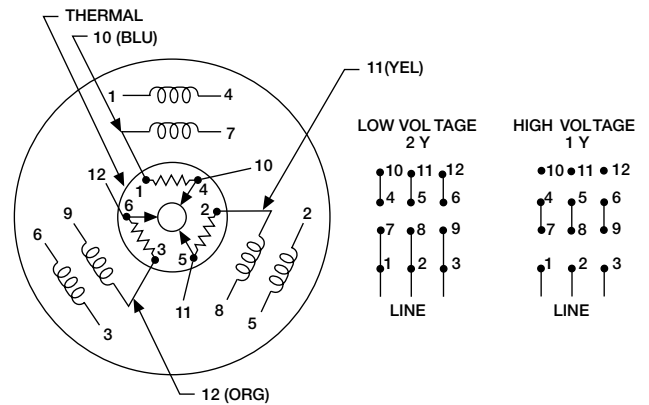
CD0005



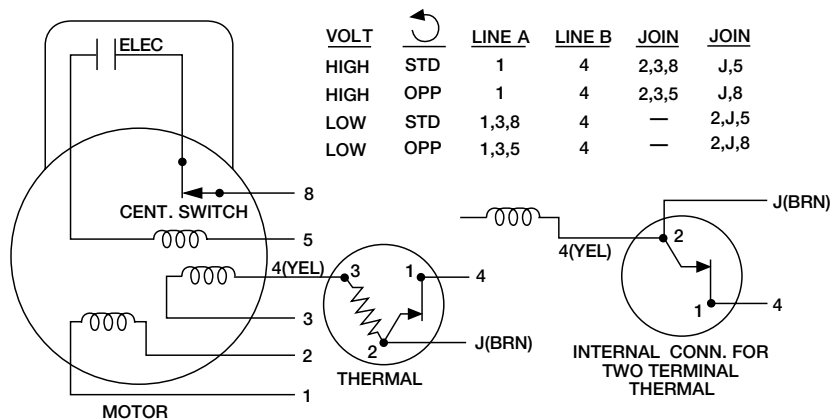
CD0006



CD0007



CD0008

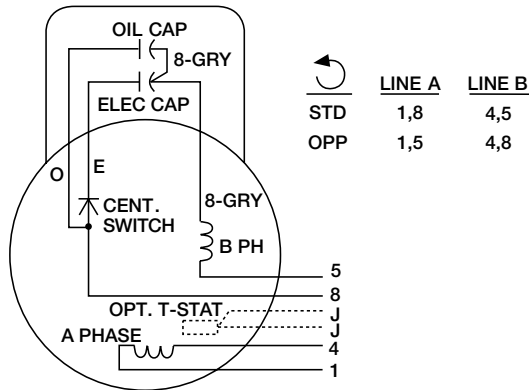


**Notes:**

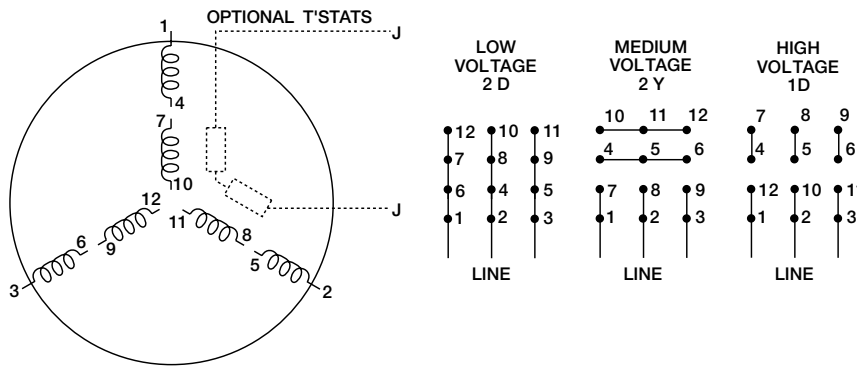
1. Three lead motors may be designed as either wye-connected or delta-connected.
2. Interchange any two line leads to reverse rotation.
3. Optional thermostats are provided when specified.
4. Actual number of internal parallel circuits may vary.

## Connection Diagrams Main Motor Power Leads

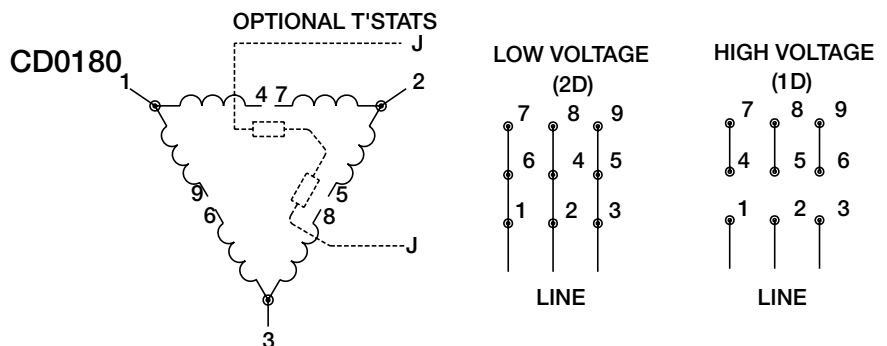
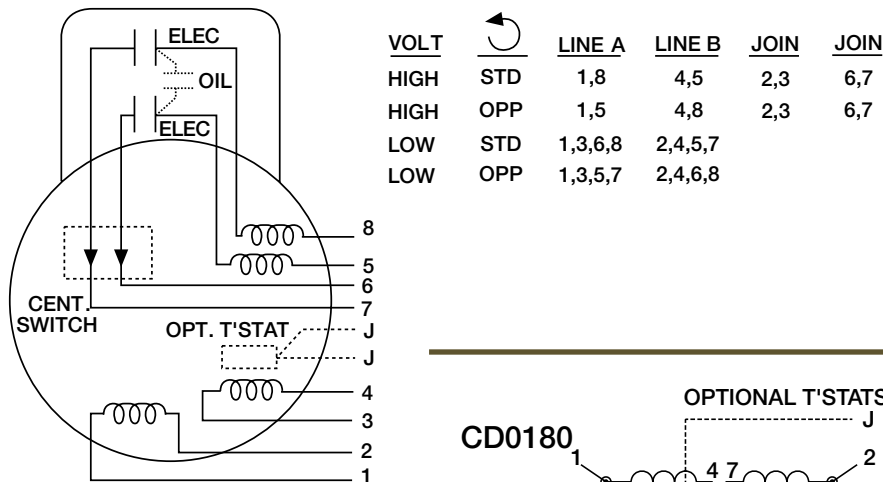
CD0017A02



CD0044

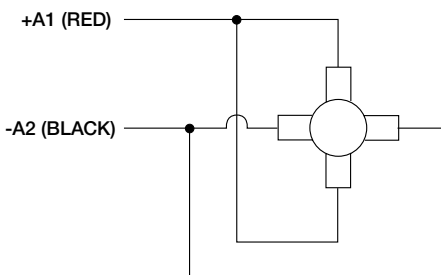
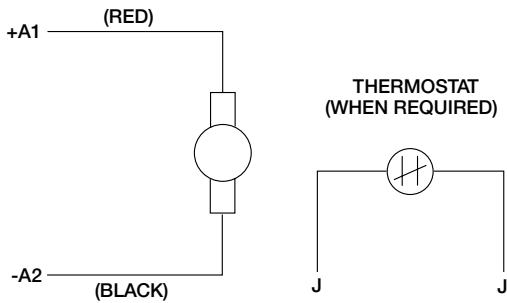


CD0076

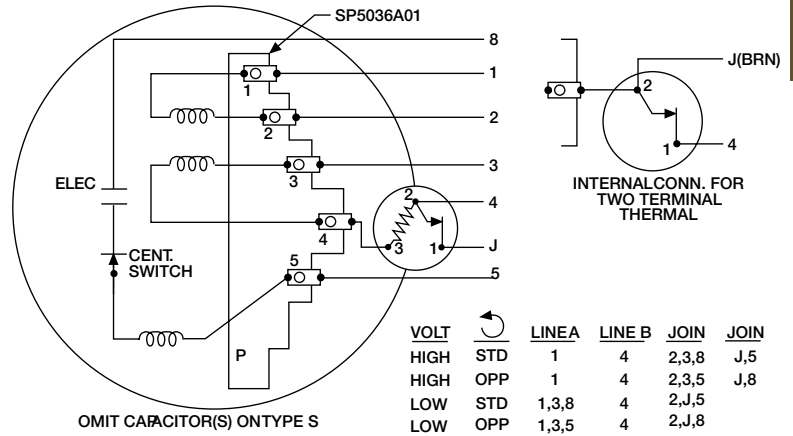


## Connection Diagrams Main Motor Power Leads

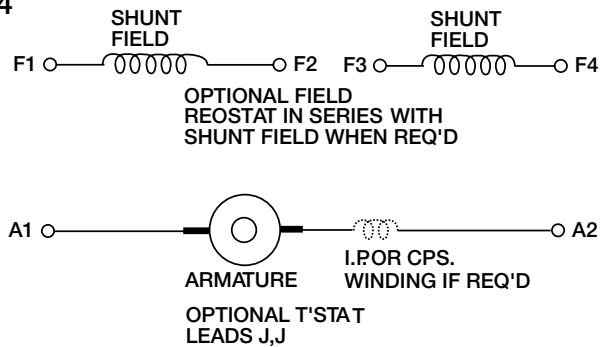
CD0194



CD0565

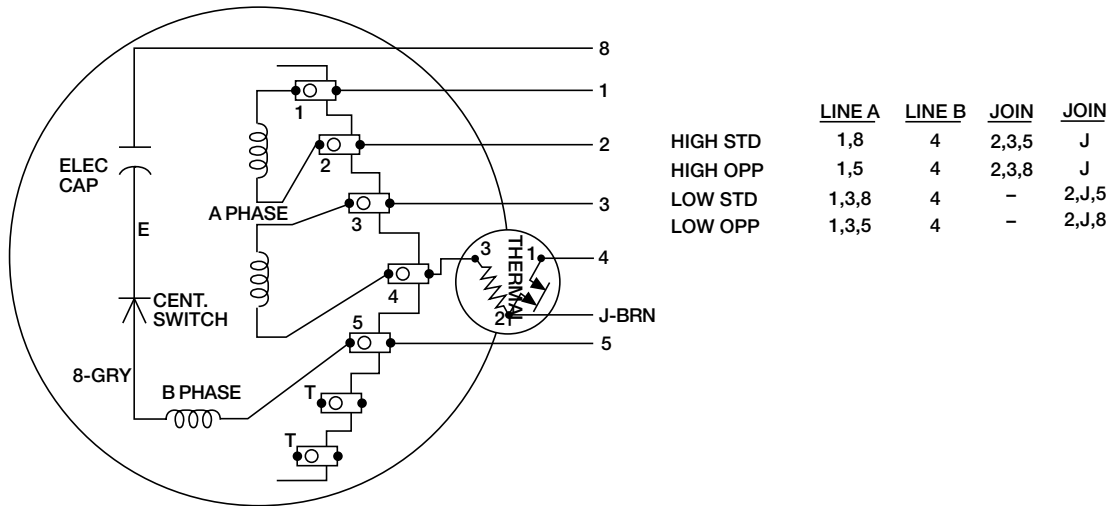


CD0194



H.V. CWDE = +(A1&F1), (F2&F3), -(A2&F4)  
 L.V. CWDE = +(A1,F1&F3), -(A2,F2&F4)  
 CC2DE = REVERSE A1 & A2

CD0885



## Contact your nearest Baldor District Office at these World Wide Locations, or visit [www.baldor.com](http://www.baldor.com)

### UNITED STATES

#### ARIZONA

**PHOENIX**  
4211 S 43RD PLACE  
PHOENIX, AZ 85040  
PHONE: 602-470-0407  
FAX: 602-470-0464

#### ARKANSAS

**CLARKSVILLE**  
1001 COLLEGE AVE.  
CLARKSVILLE, AR 72830  
PHONE: 479-754-9108  
FAX: 479-754-9205

#### CALIFORNIA

**LOS ANGELES**  
6480 FLOTILLA  
COMMERCE, CA 90040  
PHONE: 323-724-6771  
FAX: 323-721-5859

#### HAYWARD

21056 FORBES STREET  
HAYWARD, CA 94545  
PHONE: 510-785-9900  
FAX: 510-785-9910

#### COLORADO

**DENVER**  
2520 W BARBERRY PLACE  
DENVER, CO 80204  
PHONE: 303-623-0127  
FAX: 303-595-3772

#### CONNECTICUT

**WALLINGFORD**  
65 SOUTH TURNPIKE ROAD  
WALLINGFORD, CT 06492  
PHONE: 203-269-1354  
FAX: 203-269-5485

#### FLORIDA

**TAMPA/PUERTO RICO/  
VIRGIN ISLANDS**  
3906 EAST 11TH AVENUE  
TAMPA, FL 33605  
PHONE: 813-248-5078  
FAX: 813-247-2984

#### GEORGIA

**ATLANTA**  
62 TECHNOLOGY DR.  
ALPHARETTA, GA 30005  
PHONE: 770-772-7000  
FAX: 770-772-7200

#### ILLINOIS

**CHICAGO**  
1601 FRONTENAC ROAD  
NAPERVILLE, IL 60563  
PHONE: 630-848-5100  
FAX: 630-848-5110

#### INDIANA

**INDIANAPOLIS**  
5525 W. MINNESOTA STREET  
INDIANAPOLIS, IN 46241  
PHONE: 317-246-5100  
FAX: 317-246-5110  
800-428-4141

#### IOWA

**DES MOINES**  
1800 DIXON STREET, SUITE C  
DES MOINES, IA 50316  
PHONE: 515-263-6929  
FAX: 515-263-6515

#### MARYLAND

**BALTIMORE**  
6660 SANTA BARBARA RD.  
SUITE 22-24  
ELK RIDGE, MD 21075  
PHONE: 410-579-2135  
FAX: 410-579-2677

#### MASSACHUSETTS

**BOSTON**  
6 PULLMAN STREET  
WORCESTER, MA 01606  
PHONE: 508-854-0708  
FAX: 508-854-0291

#### MICHIGAN

**DETROIT**  
33782 STERLING PONDS BLVD.  
STERLING HEIGHTS, MI 48312  
PHONE: 586-978-9800  
FAX: 586-978-9969

#### GRAND RAPIDS

668 3 MILE ROAD NW  
GRAND RAPIDS, MI 49504  
PHONE: 616-785-1784  
FAX: 616-785-1788

#### MINNESOTA

**MINNEAPOLIS**  
21080 134TH AVE. NORTH  
ROGERS, MN 55374  
PHONE: 763-428-3633  
FAX: 763-428-4551

#### MISSOURI

**ST LOUIS**  
422 INDUSTRIAL DRIVE  
MARYLAND HEIGHTS, MO 63043  
PHONE: 314-298-1800  
FAX: 314-298-7660

#### KANSAS CITY

1501 BEDFORD AVENUE  
NORTH KANSAS CITY, MO 64116  
PHONE: 816-587-0272  
FAX: 816-587-3735

#### NEW YORK

**AUBURN**  
ONE ELLIS DRIVE  
AUBURN, NY 13021  
PHONE: 315-255-3403  
FAX: 315-253-9923

#### NORTH CAROLINA

**GREENSBORO**  
1220 ROTHERWOOD ROAD  
GREENSBORO, NC 27406  
P O BOX 16500  
GREENSBORO, NC 27416  
PHONE: 336-272-6104  
FAX: 336-273-6628

#### OHIO

**CINCINNATI**  
2929 CRESCENTVILLE ROAD  
WEST CHESTER, OH 45069  
PHONE: 513-771-2600  
FAX: 513-772-2219

#### CLEVELAND

8929 FREEWAY DRIVE  
MACEDONIA, OH 44056  
PHONE: 330-468-4777  
FAX: 330-468-4778

#### OKLAHOMA

**TULSA**  
2 EAST DAWES  
BIXBY, OK 74008  
PHONE: 918-366-9320  
FAX: 918-366-9338

#### OREGON

**PORTLAND**  
20393 SW AVERY COURT  
TUALATIN, OR 97062  
PHONE: 503-691-9010  
FAX: 503-691-9012

#### PENNSYLVANIA

**PHILADELPHIA**  
1035 THOMAS BUSCH  
MEMORIAL HIGHWAY  
PENNSAUKEN, NJ 08110  
PHONE: 856-661-1442  
FAX: 856-663-6363

#### PITTSBURGH

616H BEATTY ROAD  
MONROEVILLE, PA 15146  
PHONE: 412-380-7244  
FAX: 412-380-7250

#### TENNESSEE

**MEMPHIS**  
4000 WINCHESTER ROAD  
MEMPHIS, TN 38118  
PHONE: 901-365-2020  
FAX: 901-365-3914

#### TEXAS

**HOUSTON**  
4647 PINE TIMBERS  
SUITE # 135  
HOUSTON, TX 77041  
PHONE: 713-895-7062  
FAX: 713-690-4540

#### DALLAS

3040 QUEBEC  
DALLAS, TX 75247  
PHONE: 214-634-7271  
FAX: 214-634-8874

#### UTAH

**SALT LAKE CITY**  
2230 SOUTH MAIN STREET  
SALT LAKE CITY, UT 84115  
PHONE: 801-832-0127  
FAX: 801-832-8911

#### WISCONSIN

**MILWAUKEE**  
2725 SOUTH 163RD STREET  
NEW BERLIN, WI 53151  
PHONE: 262-784-5940  
FAX: 262-784-1215

#### INTERNATIONAL SALES

**FORT SMITH, AR**  
P.O. BOX 2400  
FORT SMITH, AR 72902  
PHONE: 479-646-4711  
FAX: 479-648-5895

#### CANADA

**EDMONTON, ALBERTA**  
4053-92 STREET  
EDMONTON, ALBERTA T6E 6R8  
PHONE: 780-434-4900  
FAX: 780-438-2600

#### OAKVILLE, ONTARIO

2750 COVENTRY ROAD  
OAKVILLE, ONTARIO L6H 6R1  
PHONE: 905-829-3301  
FAX: 905-829-3302

#### MONTREAL, QUEBEC

1844 WILLIAM STREET  
MONTREAL, QUEBEC H3J 1R5  
PHONE: 514-933-2711  
FAX: 514-933-8639

#### VANCOUVER, BRITISH COLUMBIA

1538 KEBET WAY  
PORT COQUITLAM, BC V3C 5M5  
PHONE: 604-421-2822  
FAX: 604-421-3113

#### WINNIPEG, MANITOBA

54 PRINCESS STREET  
WINNIPEG, MANITOBA R3B 1K2  
PHONE: 204-942-5205  
FAX: 204-956-4251

#### AUSTRALIA

UNIT 3, 6 STANTON ROAD  
SEVEN HILLS, NSW 2147,  
AUSTRALIA  
PHONE: (61) (2) 9674 5455  
FAX: (61) (2) 9674 2495

#### UNIT 8, 5 KELLETTS ROAD

ROWVILLE, VICTORIA, 3178  
AUSTRALIA  
PHONE: (61) (3) 9753 4355  
FAX: (61) (3) 9753 4366

#### AMÉRICA DEL SUR

APTDO. 9109 0818 ZONA 6  
BETHANIA,  
CIUDAD DE PANAMÁ, PANAMÁ  
PHONE: +507 261-5347  
FAX: +507 261-5355

#### CENTRO AMÉRICA Y CARIBE

RESIDENCIAL PINARES DE SUJIZA  
POL. 15 #44,  
NVA. SAN SALVADOR,  
EL SALVADOR  
PHONE: +503 2288-1519  
FAX: +503 2288-1518

#### CHINA

SHANGHAI JIAHUA  
BUSINESS CENTER  
ROOM NO. A-8421  
808 HONG QIAO ROAD  
SHANGHAI 200030  
PHONE: 86-21-64473060  
FAX: 86-21-64078620

#### GERMANY

DIESELSTRASSE 22  
D-85551 KIRCHHEIM  
MUNICH, GERMANY  
PHONE: (49) (89) 90508 0  
FAX: (49) (89) 90508 492

#### INDIA

14, COMMERCE AVENUE  
MAHAGANESH COLONY  
PAUD ROAD  
PUNE - 411 038  
MAHARASHTRA, INDIA  
PHONE: 91 20 25 45 95 30  
FAX: 91 20 5 4 95 30

#### ITALY

BALDOR ASR AG  
SUCCURSALE DI MENDRISIO  
VIA BORROMINI, 20A  
CH-6850 MENDRISIO  
SWITZERLAND  
PHONE: 41 91 640 9952  
FAX: 41 91 630 2633

#### JAPAN

DIA BLDG 802,  
2-21-1 TSURUYA-CHO,  
KANAGAWA-KU  
YOKOHAMA, 221-0835, JAPAN  
PHONE: 81-45-412-4506  
FAX: 81-45-412-4507

#### KOREA

ROOM 208-37  
INCHEON INDUSTRIAL GOODS  
CIRCULATING CENTER  
SONGHYEON 3-DONG, DONG-GU  
INCHEON. KOREA, 401-705  
PHONE: 82 32 588 3253  
FAX: 82 32 588 3254

#### MÉXICO

KM. 2.0 BLVD. AL AEROPUERTO  
LEÓN 37545, GUANAJUATO,  
MÉXICO  
PHONE: 52 477 761 2030  
FAX: 52 477 761 2010

#### MIDDLE EAST & NORTH AFRICA

VSE INTERNATIONAL CORP.  
3233 NORTH ARLINGTON HEIGHTS  
SUITE 100W  
ARLINGTON HEIGHTS, IL 60004  
PHONE: 847 590 5547

#### SINGAPORE

51 KAKI BUKIT ROAD 2  
K B WAREHOUSE COMPLEX  
SINGAPORE 417863  
PHONE: (65) 6 744 2572  
FAX: (65) 6 747 1708

#### SWITZERLAND

POSTFACH 73  
SCHUTZENSTRASSE 59  
CH-8245 FEUERTHALEN  
SWITZERLAND  
PHONE: (41) (52) 6474700  
FAX: (41) (52) 6592394

#### TAIWAN

4F, NO. 25, SEC. 1,  
TUNHUA S ROAD,  
TAIPEI 10557, TAIWAN, R.O.C.  
PHONE: (886-2) 2577-4352  
FAX: (886-2) 2577-4157

#### UNITED KINGDOM

6 BRISTOL DISTRIBUTION PARK  
HAWKLEY DRIVE  
BRISTOL BS32 0BF U.K.  
PHONE: 44 1454 859000  
FAX: 44 1454 8590019



Baldor Electric Company  
P.O. Box 2400  
Fort Smith, AR 72902-2400 U.S.A  
Ph (479) 646-4711 • Fax (479) 648-5792  
International Fax (479) 648-5895  
[www.baldor.com](http://www.baldor.com)